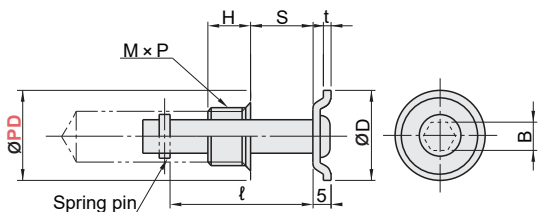



**STMY**

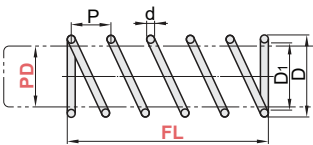


MBS/MBJ Ball cage length	STMY	
	s	l
50	0 ~ 20	32
60	0 ~ 25	40
70	0 ~ 29	44
90	0 ~ 42	57

Catalog No.		D	M x P	H	B	t
TYPE	PD-L					
<b>STMY</b>	20 - 50	24	14x1.5	12	7	1.6
	25 - 50	29	16x1.5		8	
	32 - 60	37	20x1.5	15	10	2.0
	38 - 70	44				
	50 - 90	56				



**SWMY**



PD Post diameter	D	D <sub>1</sub>	d	P
20	22.5	20.5	+1.0 0	1.0 14
25	27.9	25.5	0	1.2 14
32	35.7	32.5	+1.5 0	1.6 16
38	42.5	38.5	0	2.0 18
50	55.7	50.5	+2.0 0	2.6 20
60	66.9	60.5	0	3.2 20

Ⓜ SWP-B

Guide post sets		Catalog No.		FL
D	L	Type	PD	FL
20	90	SWMY	20	40
	100			50
	110			70
	120			80
	130			100
	140			110
	150			120
	160			140
25	90	SWMY	25	40
	100			50
	110			70
	120			80
	130			100
	140			110
	150			120
	160			140
	170			150
	180			160
	200			180

Guide post sets		Catalog No.		FL
D	L	Type	PD	FL
32	110	SWMY	32	50
	120			60
	130			70
	140			80
	150			90
	160			110
	170			120
	180			130
	190			140
	200			170
	220			190
	240			210
	260			230
	38			130
140		70		
150		80		
160		90		
170		110		
180		120		
200		150		
220		170		
240		190		
260		210		
300	230			

Guide post sets		Catalog No.		FL
D	L	Type	PD	FL
50	170	SWMY	50	70
	180			90
	200			110
	220			140
	240			170
	260			190
	300			230
	350			280
60	200	SWMY	60	90
	220			130
	240			150
	260			180
	300			230
	350			250



Order Example

TYPE	PD	L(FL)
STMY38	-	70
SWMY32	-	210