


d	Part Number		L
	TYPE	D	
4.2	APV	6	12
4.5		8	15
7.0		10	20
7.7		12	25
10.3		16	30
12.0		18	35
12.9		20	35
14.9		25	45
18.0		30	45

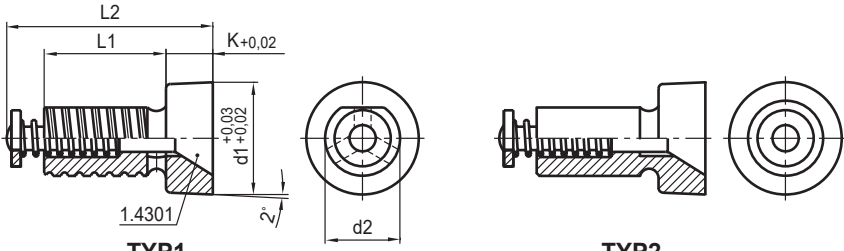


Order Example

TYPE	D
APV	- D8



HASCO-APV



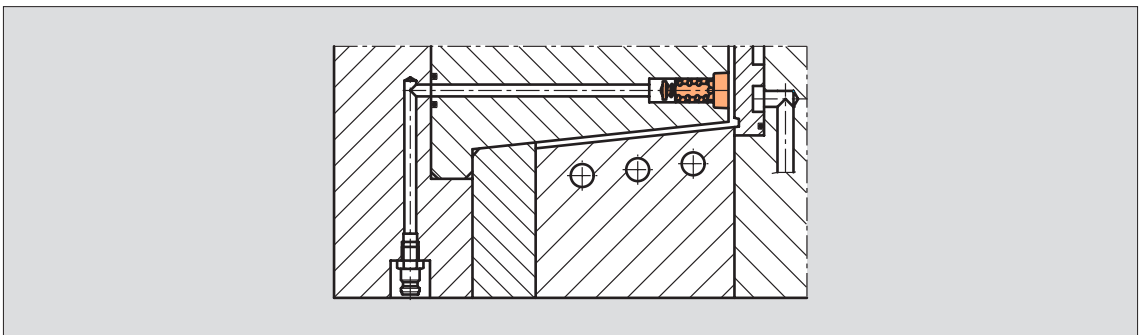
TYP1 **TYP2**

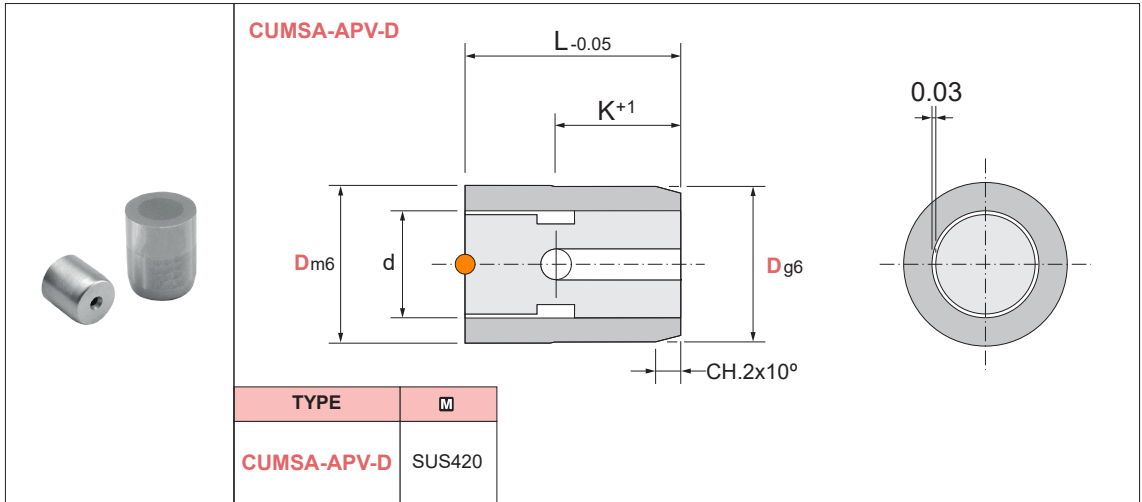
TYPE	M
HASCO-APV	SUS420

TYP	K	L2	L1	d1	d2	D
2	5	16	8	8	6	8
1	5	21	13	12	8	12
	6	22	12	16	10	16

Order Example

TYPE	D
HASCO-APV -	D12



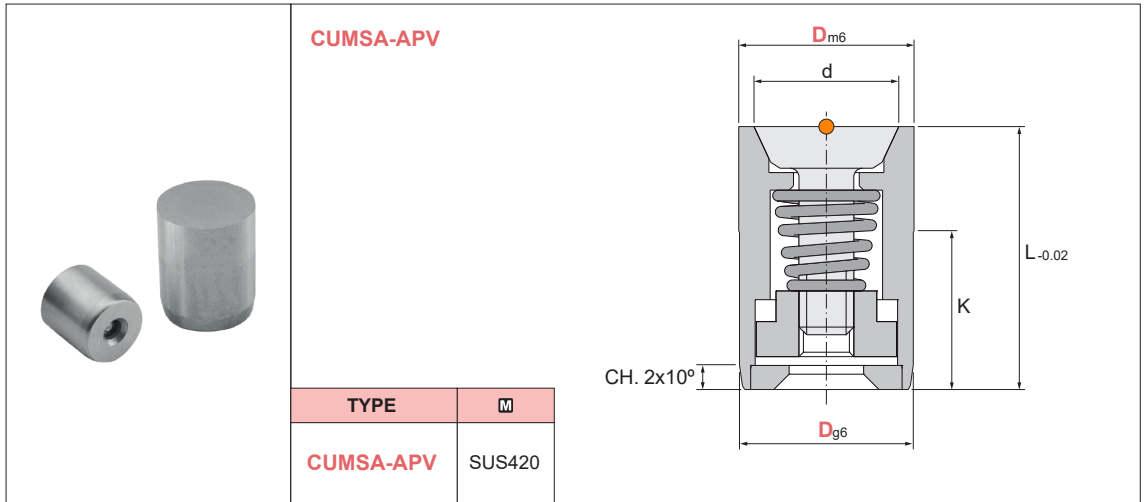


Dm6		Dg6		d	L	K
8	+ 0.015	8	- 0.005	5.0	12	7
10	+0.006	10	- 0.014	6.0		
12	+ 0.018	12	- 0.006	8.0	20	12
16	+0.007	16	- 0.017	10.0		



Order Example

TYPE	D
CUMSA-APV-D -	D12

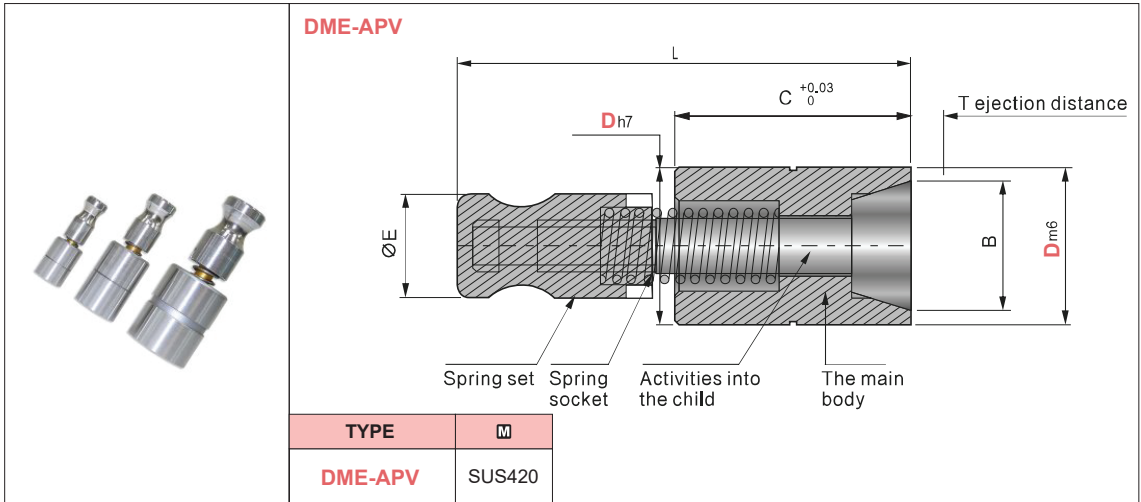


Dm6		Dg6		d	L	K
5	+ 0.012	5	- 0.004	3.4	12	7
6	+0.004	6	- 0.012	5.2		
8	+ 0.015	8	- 0.005	6.6		
10	+0.006	10	- 0.014	8.2		
12	+ 0.018	12	- 0.006	9.7	20	12
16	+0.007	16	- 0.017	12.6		
20	+ 0.021 +0.008	20	- 0.007 - 0.020	16.9		



Order Example

TYPE	D
CUMSA-APV -	D12



D	B	C	L	D_{m6}	T Ejection Distance	Precision level
8 $^{+0.015}_{+0.006}$	6.6	11	24	6	1.2	120.00
12 $^{+0.018}_{+0.007}$	9.7	18	34	8	1.9	120.00
18 $^{+0.018}_{+0.007}$	14.8	22	45.5	12	2.5	150.00

Order Example

TYPE	D
DME-APV	- D10