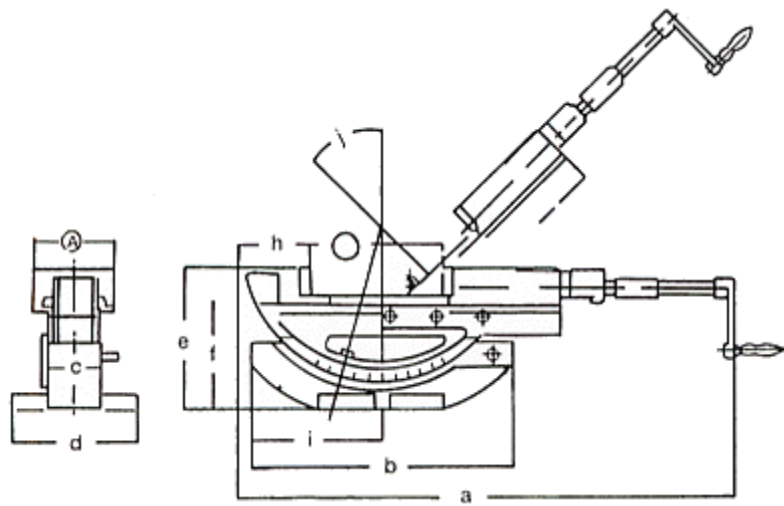




品名：傾斜式油壓虎鉗
 型號：AHT

產品說明：

Different from other conventional milling vises, the angle vise makes angular settings in directions possible. The vertical angle can be setting from 0-50° of you need. Precise angular settings in plane can be read from the mounted scale.



MODEL	A	B	C	a	b	c	d	e	f	g	h	i	Angle j	Clamping range X	Clamping range Y	Clamping range Z	Clamping force (kg)	Weight(kg)	
																		Bench	Ratary table
AHT-4	100	36	170	525	330	65	162	177	140	78	90	172	50	0-60	57-115	110-170	2500	24	6.5
AHT-6	154	53	300	801	415	95	242	237	186	116	121	240	50	0-100	98-200	195-300	4400	63	16