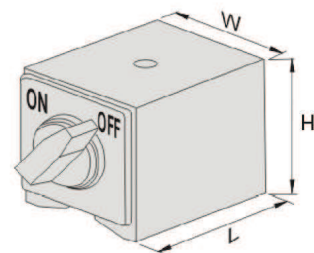
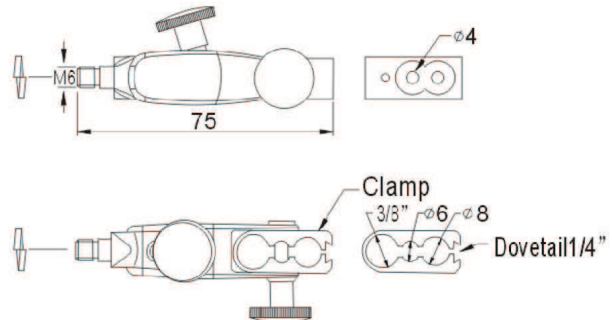
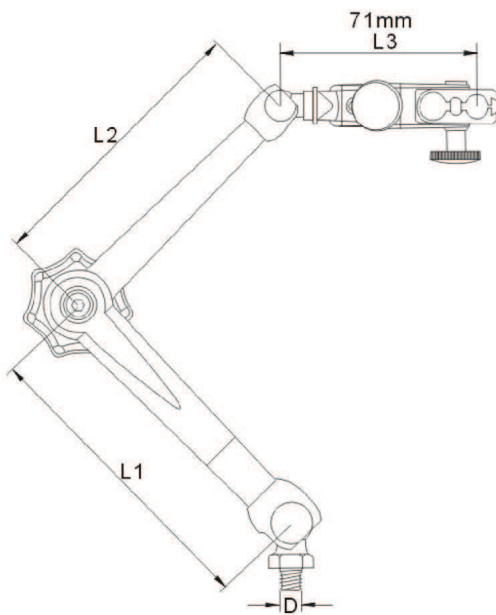


54928
NF/DG/MG/MA
Universal Arm Magnetic Base


NF61003 DG61003 MG61003 MA61003

Features :

- ▶ Powerful ON-OFF magnetic base.
- ▶ Central locking mechanism with designed spring.
- ▶ Black finished arms.
- ▶ Universal swivel clamp for all dial and test indicator. holds $\varnothing 6\text{mm}$, $\varnothing 8\text{mm}$, $\varnothing 3/8"$ and $1/4"$ dovetails and back lug.
- ▶ Instant fixation in any position.



Dial indicator please refer Page. D22~23

Unit:mm

Order No.	Model	Arm length			Magnetic base spec.			Thread	Force (N)	N.W.
		L1	L2	L1+L2+L3	W	H	L			
54928-01	NF61003	56	51	178	30	35	40	Ext. M5	320	0.5kg
54928-02	DG61003	110	101	282	50	55	60	Ext. M8	800	1.3kg
54928-03	MG61003	133	113	317	50	55	60	Ext. M8	800	1.9kg
54928-04	MA61003	326	242	637	50	55	120	Ext. M10x1.25	1300	5.1kg