

# Magnetic Chuck

**54620**

GLM

Permanent Lifting Magnetic

GLM100



GLM300



GLM600



GLM1000



GLM2000



GLM3000

## Features :

### ▲ Safety

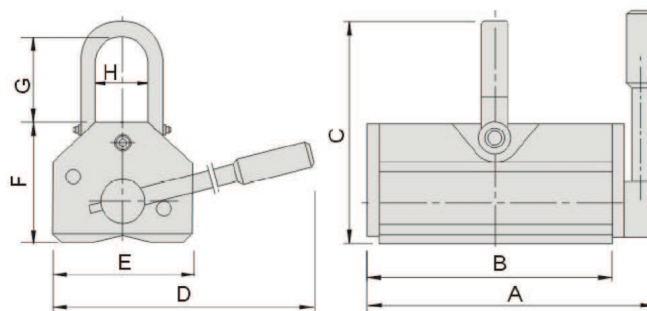
Lifting magnetic ensure the stable magnetic force and tested to hold 3.5 TIMES, the rated load for maximum safety.

### ▲ Rigidity

Adopting steel block and machined by CNC and FNC system for ensure accuracy and rigidity.

### ▲ Durability

Nickel-plating on all parts of steel to increase lifecycle, enhance surface hardness on all poles to ensure the best operation condition, maintenance free.



Unit:mm

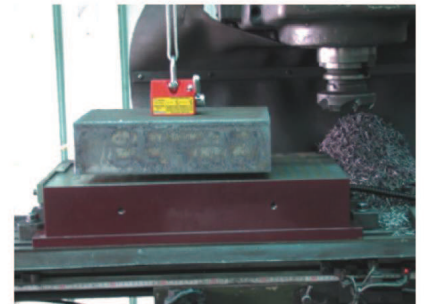
Order No.	Model	Capacity (kg)	A	B	C	D	E	F	G	H	Rated load of safety	N.W.
54620-02	GLM100	100	107	84	120	125	60	71	41	30	x3.5倍	2.5kg
54620-04	GLM300	300	180	155	156	185	90	93	51	41		8.6kg
54620-06	GLM600	600	255	224	212	260	115	120	77	52		21kg
54620-08	GLM1000	1000	280	245	286	371	165	169	97	87		46kg
54620-10	GLM2000	2000	422	380	348	512	216	215	105	121		118kg
54620-12	GLM3000	3000	566	530	400	770	216	222	147	80		181kg

### Features :

- ▶ It's perfect for loading or unloading most workpieces including press molds, plastic molds, machined parts, etc...
- ▶ Apply this lifting magnetic to move plate steel, block or round steel, and iron material in your factory.
- ▶ Permanent magnetic requires no electricity to perform material lifting.
- ▶ Tested to hold 3.5 TIMES, the rated load of maximum safety
- ▶ Fast, safe & efficient material lifting, loading and unloading.



### Applications



MAGNETIC TOOLS

#### Instruction

NO/OFF switch, easy and fast as figures below:

**ON**



**OFF**



#### Caution!

Lever in the "ON" position. Note the safety lock is engaged on the lifting magnetic.