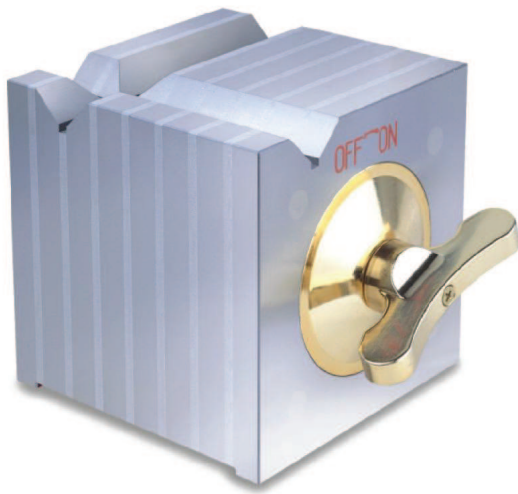


# Magnetic Tools

**54050**

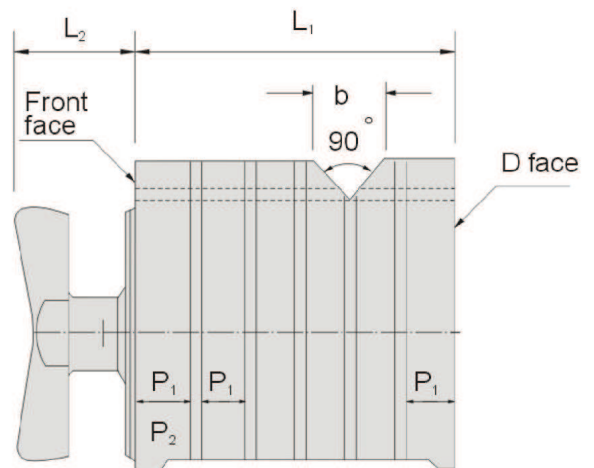
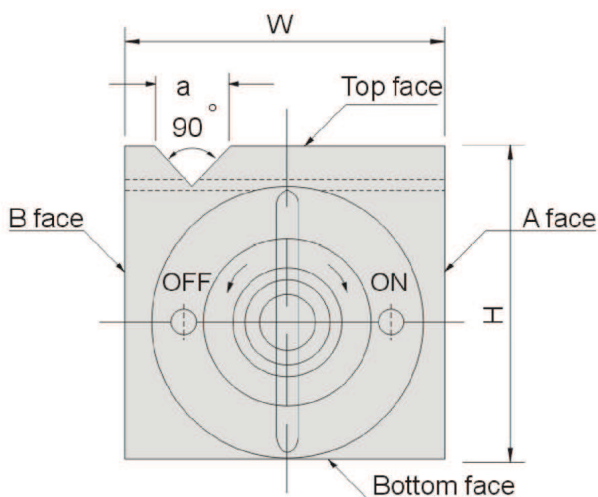
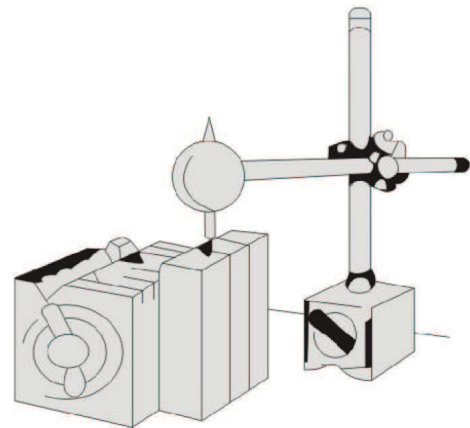
BA

Magnetic Square & V-block



## Features :

- ▶ Suitable for holding round or rectangle shape steel for precision measuring and marking.
- ▶ Attraction is available on the upper face both sides and V-faces.
- ▶ V-face is provided at 2 sections each at right angle for easy application.
- ▶ Precisely ground and inspected.



Unit:mm

Order No.	Model	V-Face Holding Power		Flat-Face Holding Power		Specification								N.W.
		Stone Surface plate	Iron Surface plate	Stone Surface plate	Iron Surface plate	W	L1	H	L2	P1	P2	P3	a/b	
54050-10	BA1	300N(30kgf)	250N(25kgf)	500N(50kgf)	300N(30kgf)	100	100	100	43	17	4	12	26	6.3kg
54050-20	BA2	600N(60kgf)	350N(35kgf)	1800N(180kgf)	1000N(100kgf)	150	150	150	56	24.5	5	19	32	21.3kg