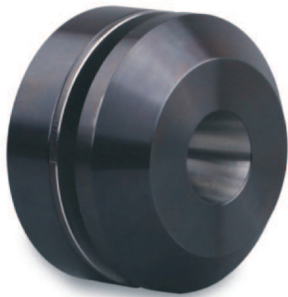


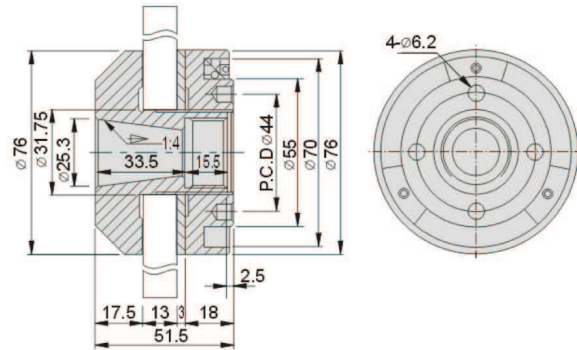
**52572** FC110 FC110 Flange



N.W. 1.1kg

**Features :**

- ▶ Suitable for applying on WASINO Grinders.



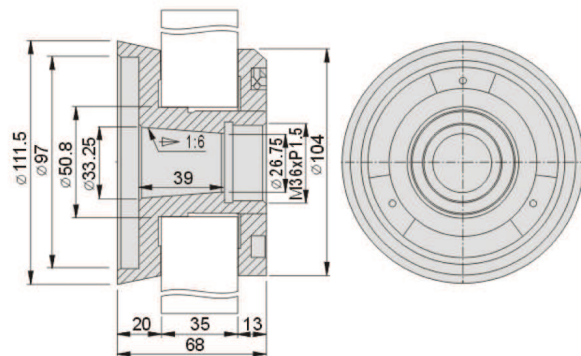
**52574** FC520 FC520 Flange



N.W. 1.95kg

**Features :**

- ▶ Suitable for OKAMOTO ACC-52DX Grinders.



**52576** FC630 FC630 Flange



N.W. 2.2kg

**Features :**

- ▶ Suitable for OKAMOTO ACC-63DX, TATUNG PSG-64 Grinders.

