

Grinding Machine Accessories

52566

W20

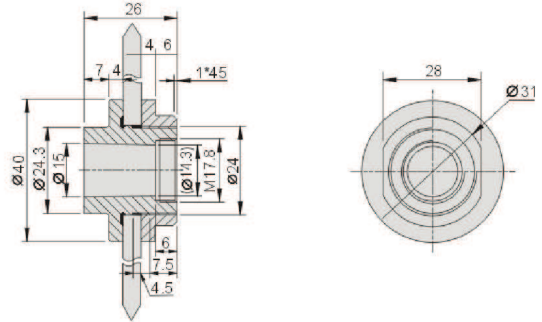
W20 Flange



N.W. 0.1kg

Features :

- W20 is used in WAIDA Optical Profile Grinder.



52568

W40

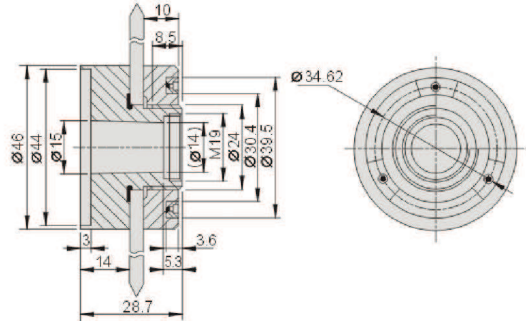
W40 Flange



N.W. 0.2kg

Features :

- W40 is used in WAIDA Optical Profile Grinder.



52570

P60

P60 Flange



N.W. 0.2kg

Features :

- P60 is used in Petewe Optical Profile Grinder.

