

Grinding Machine Accessories

52554

F250

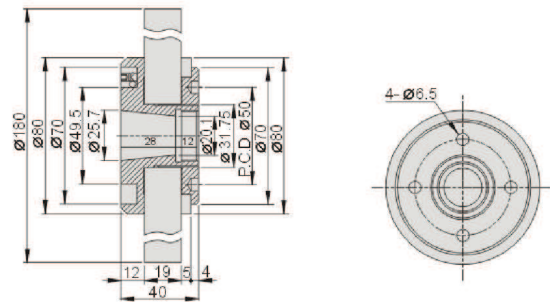
F250 Flange



N.W. 0.7kg

Features :

- F250 Flange is used in cylinder of KENT grinding machines.



52556

F350

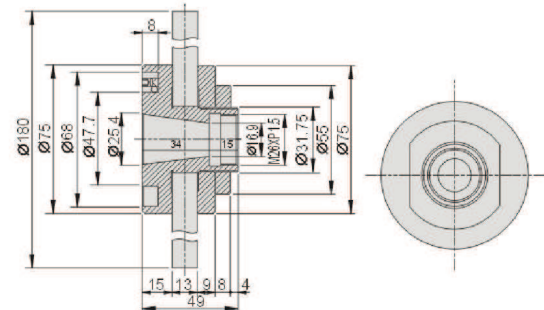
F350 Flange



N.W. 0.9kg

Features :

- F350 Flange is used in cylinder of TATUNG-OKUMA grinding machines.



52558

F450

F450 Flange



N.W. 0.9kg

Features :

- F450 (USA) is used in cylinder of US standard grinding machines.

