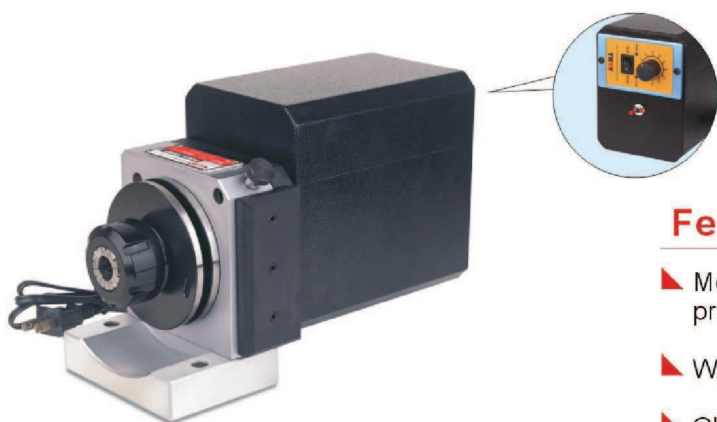


51260 PFDM Motor ER Collet Punch Former



without dust cover



ER40

ER32

ER16

Features :

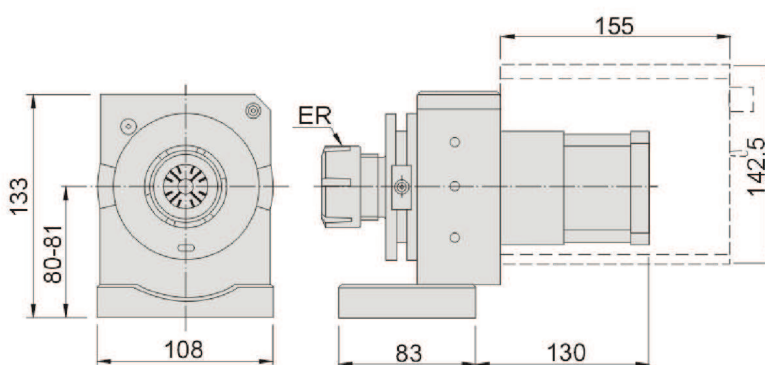
- ▶ Motorised function prevent human fatigue when processing.
- ▶ With ER collets, the flexible range of collet is 1mm.
- ▶ Clamping under 4mm apply ER16 collet.
- ▶ PFDM can rapidly clamp the workpiece and achieving higher stability during processing, no need to adjust the center accuracy.
- ▶ This model is compatible with various ER collets such as ER16, ER32, ER40 etc...

Main parameters:

Center height 80 ~ 81mm
 Motor : 110V/60Hz 50 ~ 300 RPM
 Motor : 220V/50Hz 50 ~ 300 RPM

Note:

variable speed from 1 to 100 ratio, when 100 is set the top speed is 300rpm, when set on 100 rpm, the panel is set approx. 30 ratio.



| Order No. | Model | Collet Size | Volts | N.W. |
|--------------|-----------|-------------------|--------|--------|
| 51260-16-110 | PFDM-ER16 | 2, 3, 4, 6, 8 | AC110V | 8.2kg |
| 51260-16-220 | | | AC220V | |
| 51260-32-110 | PFDM-ER32 | 4, 8, 12, 16, 20 | AC110V | 9.2kg |
| 51260-32-220 | | | AC220V | |
| 51260-40-110 | PFDM-ER40 | 6, 10, 16, 20, 25 | AC110V | 10.2kg |
| 51260-40-220 | | | AC220V | |