

Material : SUS440 Parallelism: within 0.003mm/100mm
 Hardness: HRC48^o~55^o Squareness: within 0.005mm/100mm

Unit: mm

53330

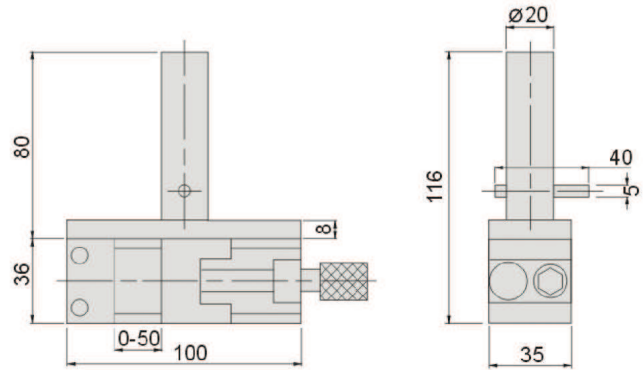
EVR50



N.W. 1.1kg

Features :

- ▶ Compact version precision vise, suitable for small precision workpiece.
- ▶ Used in EDM machine.



53340

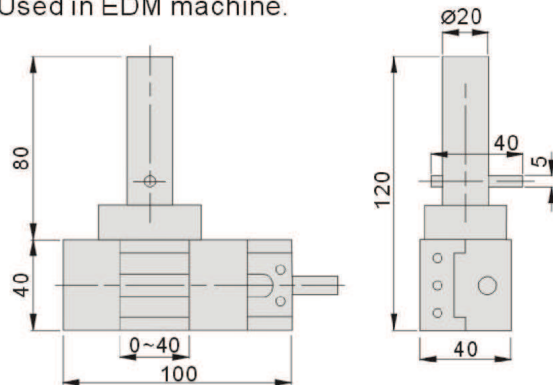
EVR40



N.W. 1.2kg

Features :

- ▶ Compact version precision vise, suitable for small precision workpiece.
- ▶ Used in EDM machine.



ELECTRODE VISE