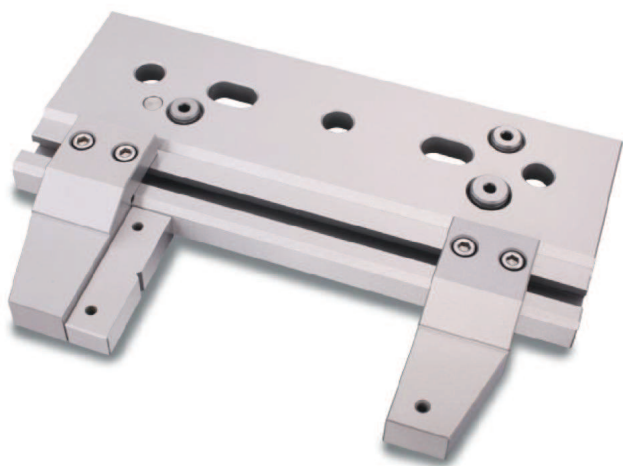


Wire EDM Extensions Clamp

53180

WCV280

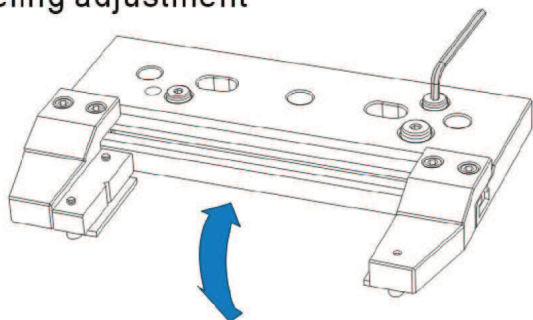
Stainless Precision Vise For EDM



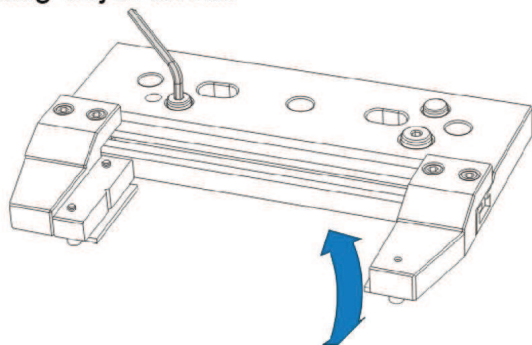
Features :

- ▶ Adopting high quality stainless steel (ASSAB STAVAX) with Sub-zero Treatment after Vacuum Heat Treatment, stable and distortion free.
- ▶ With 45°aw design, workpiece anti-floating when clamp.
- ▶ Adopting ball bearings and make 3-axis adjustment much more efficient.
- ▶ High water pressure resistance when clamping.
- ▶ Hardness: HRC45°~ 55°
- ▶ Parallelism: within 0.003/100mm
- ▶ Squareness: within 0.005/100mm

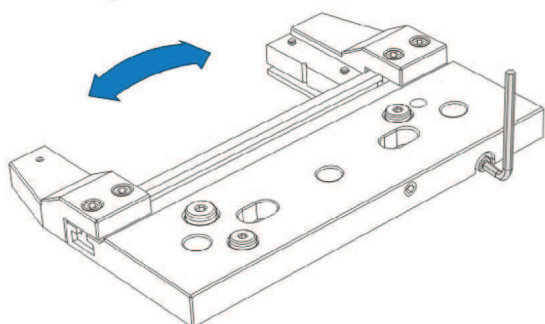
Leveling adjustment



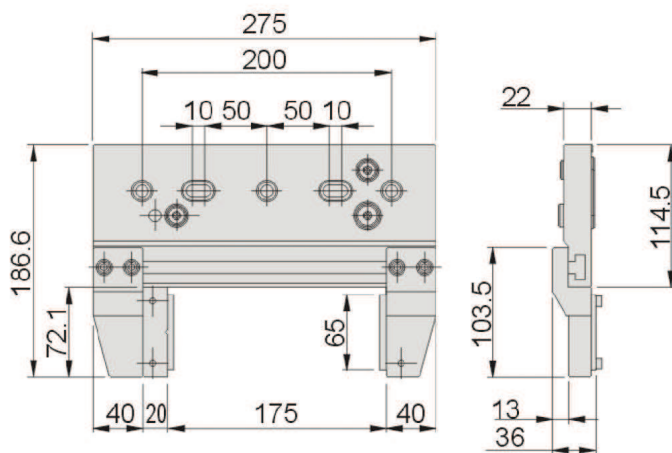
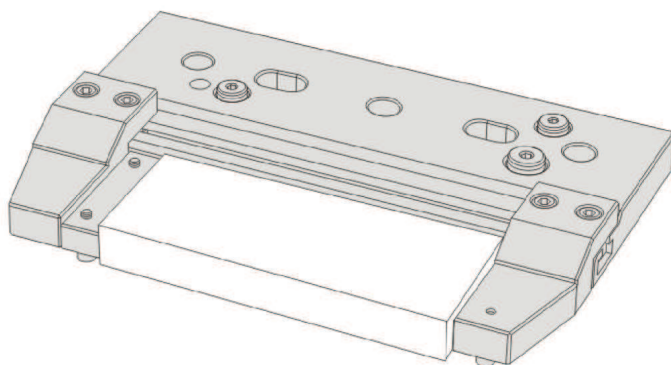
Leveling adjustment



Parallel adjustment



Application example



Unit:mm

Spec	Clamping range			N.W.
	Max.	Thickness	Depth	
36x186.6x275	175	22	72.1	6kg

WIRE EDM EXTENSIONS CLAMP