

53175

WHV

Stainless Precision Vise For EDM

WHV260

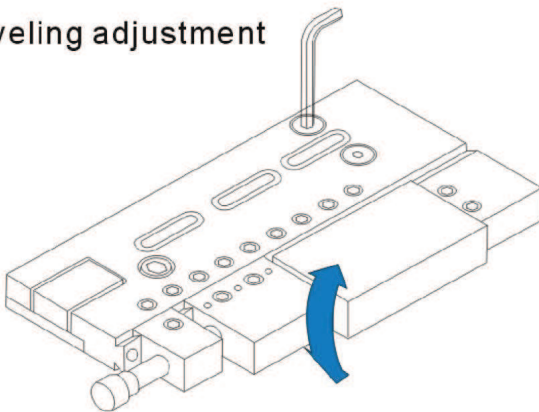


WHV350

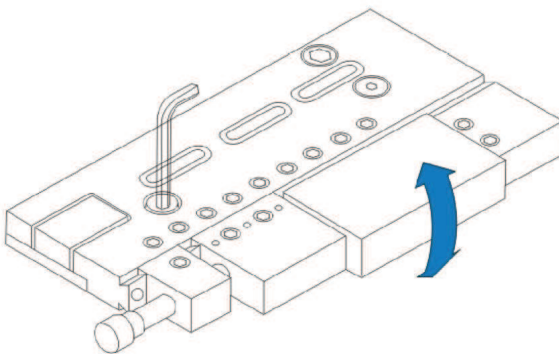
Features :

- ▶ Adopting high quality stainless steel (ASSAB STAVAX) with Sub-zero Treatment after Vacuum Heat Treatment, stable and distortion free.
- ▶ With screw bar design, workpieces can be easily and rapidly clamped to any suitable sizes.
- ▶ Hardness: HRC45^o~ 55^o
- ▶ Parallelism: within 0.003/100mm
- ▶ Squareness: within 0.005/100mm

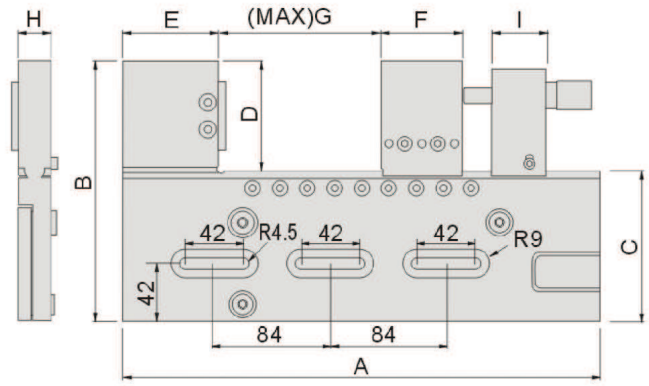
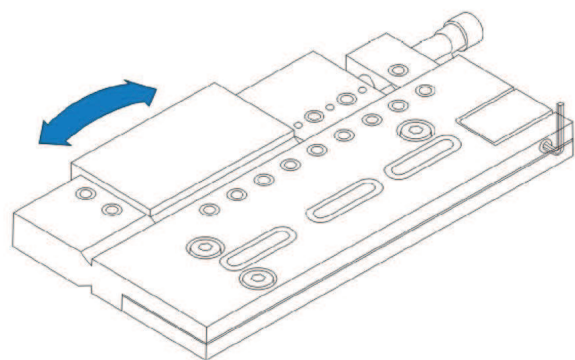
Leveling adjustment



Leveling adjustment



Parallel adjustment



WHV350

Unit:mm

Order No.	Model	A	B	C	D	E	F	G	H	I	N.W.
53175-01	WHV260	275	160	110	50	60	60	120	24	35	7.0kg
53175-02	WHV350	350	170	110	60	70	60	180	24	35	9.0kg

WIRE EDM EXTENSIONS CLAMP