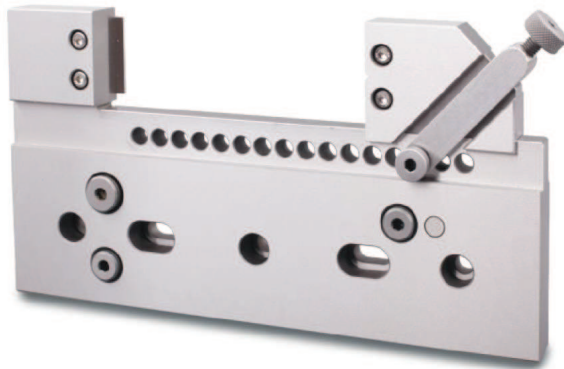


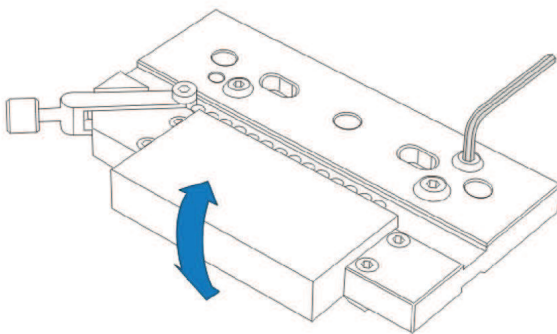
**53165**

**WEV280**

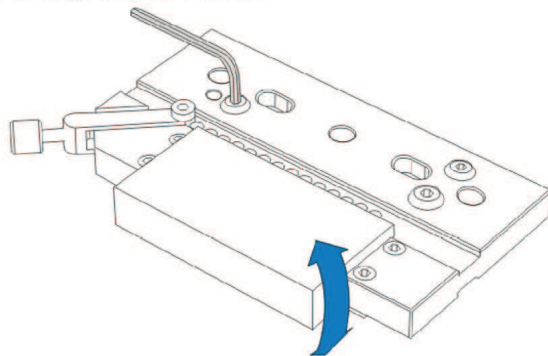
**Stainless Precision Vise For EDM**



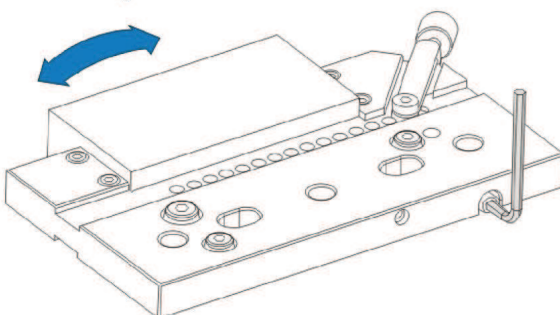
Leveling adjustment



Leveling adjustment

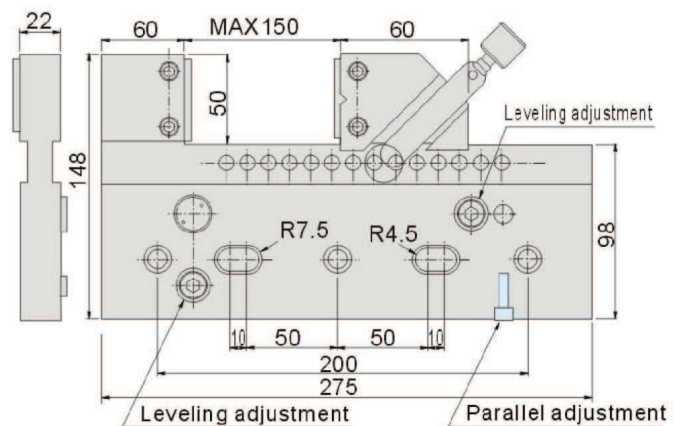


Parallel adjustment



**Features :**

- ▶ Adopting high quality stainless steel (ASSAB STAVAX) with Sub-zero Treatment after Vacuum Heat Treatment, stable and distortion free.
- ▶ With 45° lock down design, workpiece anti-floating when clamp.
- ▶ 3-axis can be adjustable in this model.
- ▶ High water pressure resistance when clamping.
- ▶ Hardness: HRC45°~ 55°
- ▶ Parallelism: within 0.003/100mm
- ▶ Squareness: within 0.005/100mm



Unit:mm

Spec	Clamping range			N.W.
	Max.	Thickness	Depth	
22x148x275	150	22	50	5.5kg

WIRE EDM EXTENSIONS CLAMP