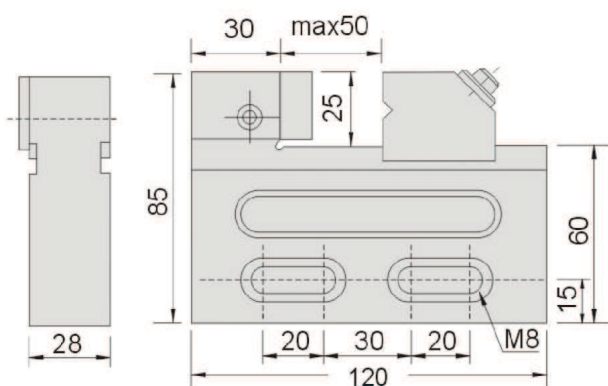


Wire EDM Extensions Clamp

53125

WPV50

Stainless Precision Vise For EDM



Features :

- ▶ Adopting high quality stainless steel with Sub-zero Treatment after Vacuum Heat Treatment, stable and distortion free.
- ▶ With 45° lock down design, workpiece anti-floating when clamp.
- ▶ Hardness: HRC45°~ 55°
- ▶ Parallelism: within 0.003/100mm
- ▶ Squareness: within 0.005/100mm

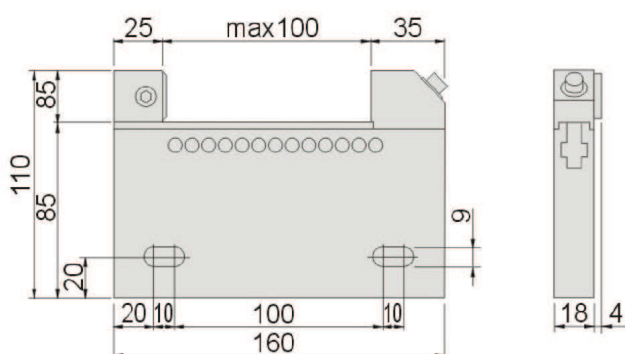
Unit:mm

Spec	Clamping range			N.W.
	Max.	Thickness	Depth	
28x85x120	50	28	25	1.1kg

53130

WPV90

Stainless Precision Vise For EDM



Features :

- ▶ Adopting high quality stainless steel with Sub-zero Treatment after Vacuum Heat Treatment, stable and distortion free.
- ▶ Suitable for small and thin workpieces' application.
- ▶ With 45° lock down design, workpiece anti-floating when clamp.
- ▶ Hardness: HRC45°~ 55°
- ▶ Parallelism: within 0.003/100mm
- ▶ Squareness: within 0.005/100mm

Unit:mm

Spec	Clamping range			N.W.
	Max.	Thickness	Depth	
18x110x160	100	18	25	2.8kg