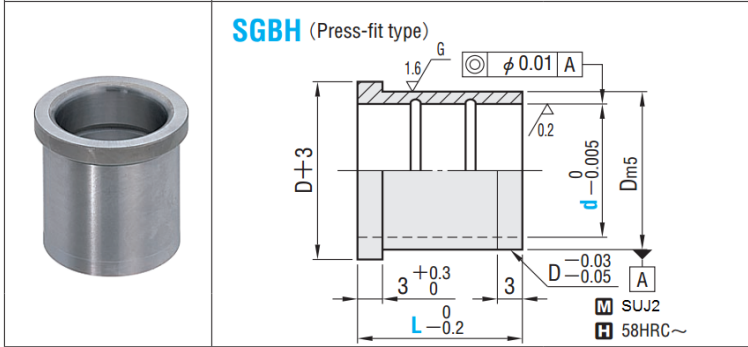
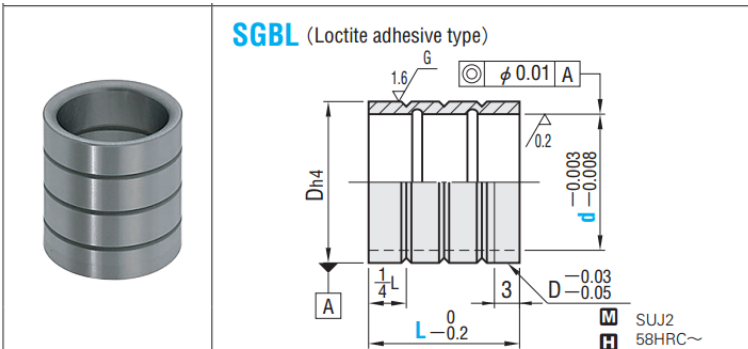


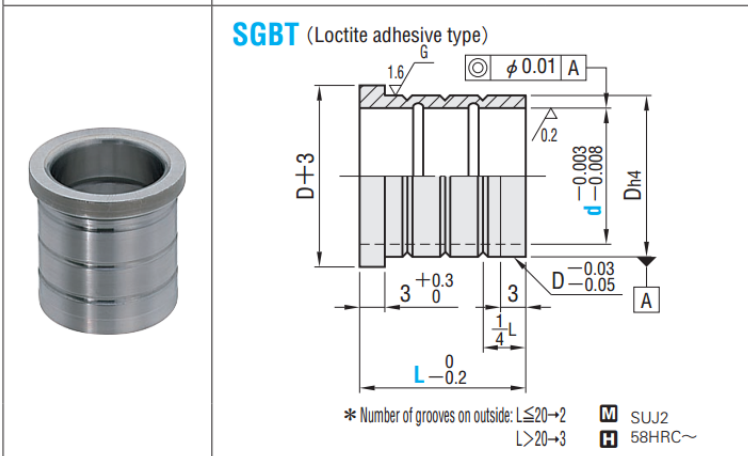
D _{n5}	Type	d	L						
12	SGBA	8	10	13	16	20			
14		+0.020 +0.012	10	10	13	16	20	25	
18			13		13	16	20	25	
22		+0.024 +0.015	16			16	20	25	30
25			20				20	25	30
32		+0.028 +0.017	25					25	30



D _{m5}	Type	d	L									
12	SGBH	8	10	13	16	20						
14		+0.015 +0.007	10	10	13	16	20	22	25			
18			13		13	16	20	22	25	30	35	
22		+0.017 +0.008	16			13	16	20	22	25	30	35
25			20				16	20	22	25	30	35
32		+0.020 +0.009	25					20	22	25	30	35



D _{h4}	Type	d	L									
12	SGBL	8	10	13	16	20						
14		0 -0.005	10	10	13	16	20	22	25			
18			13		13	16	20	22	25	30	35	
22		0 -0.006	16			13	16	20	22	25	30	35
25			20				16	20	22	25	30	35
32		0 -0.007	25					20	22	25	30	35



D _{h4}	Type	d	L									
12	SGBT	8	10	13	16	20						
14		0 -0.005	10	10	13	16	20	22	25			
18			13		13	16	20	22	25	30	35	
22		0 -0.006	16			13	16	20	22	25	30	35
25			20				16	20	22	25	30	35
32		0 -0.007	25					20	22	25	30	35



- Type - D - L
- SGBA - d20 - L20
 - SGBH - d13 - L22
 - SGBL - d20 - L20
 - SGBT - d13 - L13