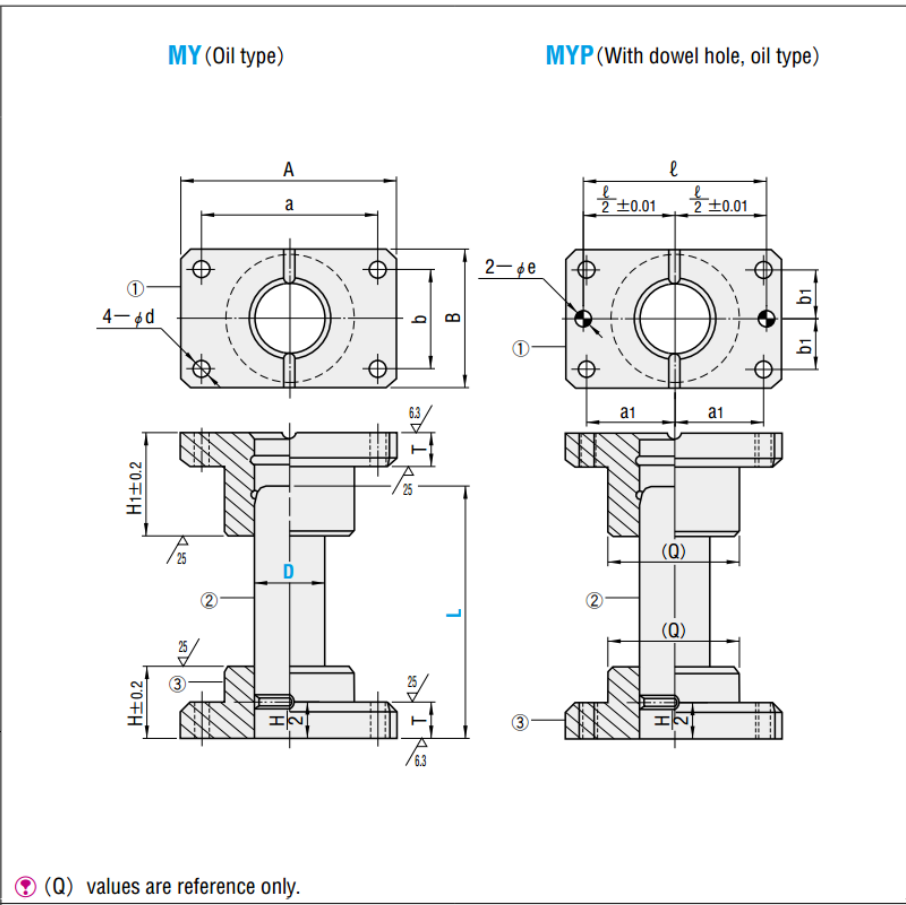
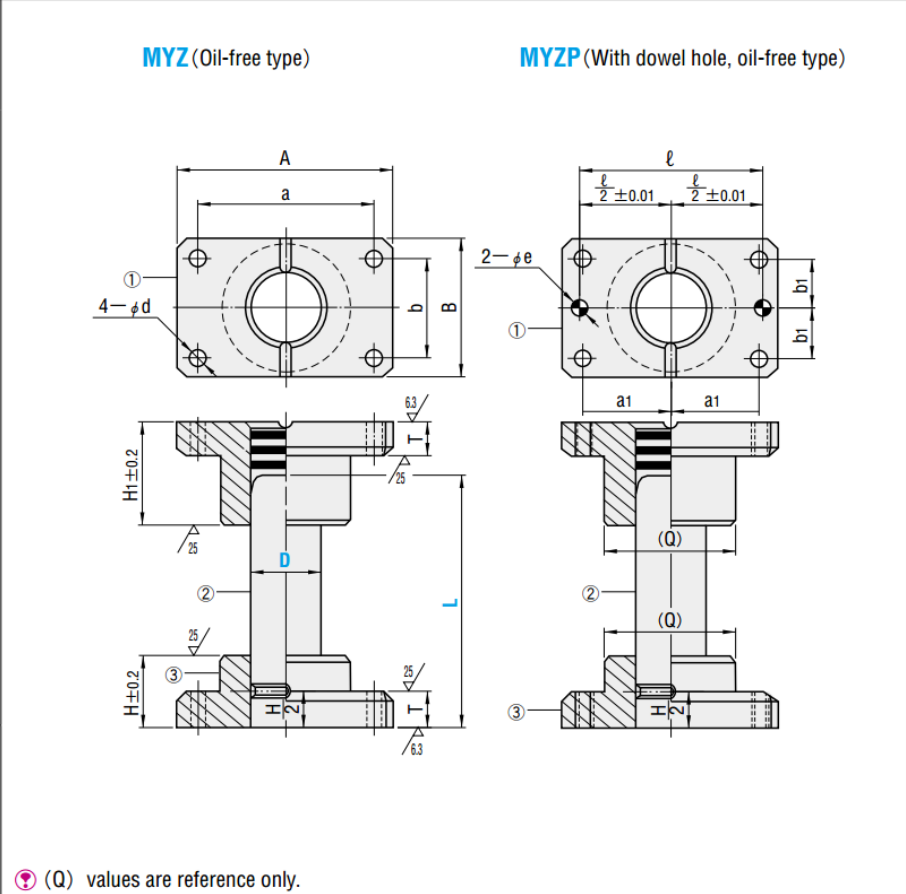




- ① FC250
- ② S45C
- ③ 55HRC~ (Induction hardening)
- ④ FC250



- ① FC250  
Special solid lubricant (embedded)
- ② S45C
- ③ 55HRC~ (Induction hardening)
- ④ FC250



D	A	B	a	b	d	H	H <sub>1</sub>	T	(Q)	ℓ	a <sub>1</sub>	b <sub>1</sub>	eH7	④ Provided bolt	⑤ Provided dowel pins	
20	74	44	56	30	6.6	30	40	15	42	56	28	15	6	$^{+0.012}_0$	CB 6—30	MSTM 6—20
25	84	48	66	30	9	30	45	20	46	66	33	15	8	$^{+0.015}_0$	CB 8—35	MSTM 8—30
32	100	58	76	36	11	40	50	20	56	76	38	18	8		CB10—40	MSTM 8—30
38	130	75	100	44	11	50	60	25	73	100	50	22	10		CB10—45	MSTM10—40
50	155	90	125	60	14	65	85	25	87	125	62.5	30	10	$^{+0.018}_0$	CB12—50	MSTM10—40
60	190	120	150	80	18	75	100	30	117	150	75	40	13		CB16—60	MSTM13—50
80	230	150	180	110	22	100	130	35	145	190	90	55	16		CB20—75	MSTM16—60

Type	D	L															
MY MYP MYZ MYZP	20	80	90	100	110	120											
							130	140	150	160							
	25	80	90	100	110	120											
							130	140	150	160	170	180	200				
	32	90			100	110	120	130	140								
									150	160	170	180	200	220	250		
	38	110					120	130	140	150	160	170	180				
												200	220	250	280	300	
50	160								170	180	200	220	250				
												280	300	350			
60	180							200	220	250	280	300					
													350	400			
80	250										280	300	350				
														400	450		

ⓘ In accordance with safety standards for the transport of heavy items, φ 80 posts include M12 tap holes, and can be hoisted up for transport by means of lifting eye bolts.

Type		Replacement parts					
		1 Post	2 Holder	3 Bushing	4 Retainer	5 Spring	6 Stopper
Plain guide post sets —Oil type—	MY	MGP	MGH	MGB	—	—	—
	MYP		MGHP	MGBP	—	—	—
Plain guide post sets —Oil-free type—	MYZ		MGH	MGBZ	—	—	—
	MYZP		MGHP	MGBZP	—	—	—



Type - D - L

MY - D32 - L160