
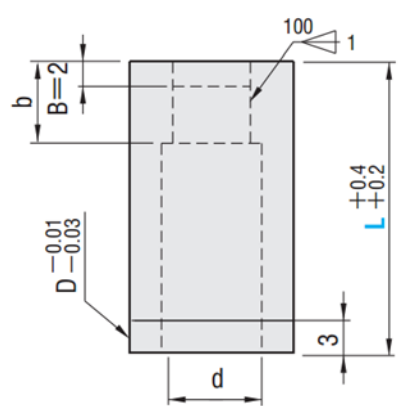
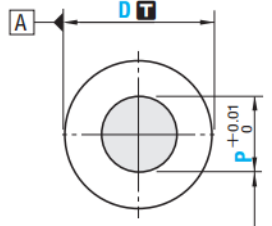
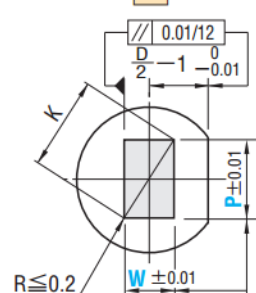
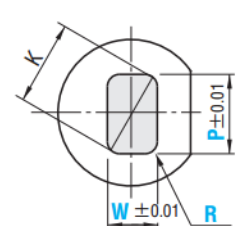
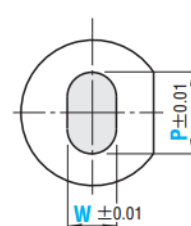
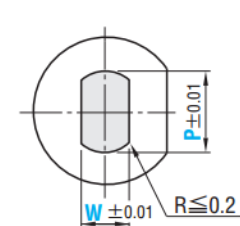


Straight type 	Shank diameter D	M H	D dimension	Type	
	D_{n5}	SKH51 61~64HRC	D3~5	MSD	
		SKD11 60~63 HRC	D6~56		
	SKD11 60~63 HRC	D8~56	SD□		

Hole shape A	Hole shape D	Hole shape R	Hole shape E	Hole shape G
 <p>⊙ $\phi 0.01$ A</p>	 <p> $\sqrt{0.01/12}$ $D -1 -0.01$ $R \leq 0.2$ $P \geq W$ $K = \sqrt{P^2 + W^2}$ $\equiv 0.02$ A </p>	 <p> $P \geq W$ $0.15 \leq R < \frac{W}{2}$ $K = \sqrt{(P-2R)^2 + (W-2R)^2} + 2R$ </p>	 <p>$P > W$</p>	 <p> $P > W$ $R \leq 0.2$ </p>

D tolerance	Type	D	L	0.01mm increments			b	d		
				A	D R E G	R				
D	n5	± 0.005 0		min. P	max.	P·Kmax.	P·Wmin.	R		
3	(SKH51) (D_{n5}) MSD	+0.005 0	3	16 20	0.30	1.00	—	—	—	2.0
4			4	16 20 22 25 28 30	0.50	2.00	—	—		2.4
5			5	16 20 22 25 28 30	0.50	2.50	—	—		2.9
6			(6)	16 20 22 25 28 30 32 35	1.00	3.00	—	—		3.4
8	(SKD11) (D_{n5}) MSD	+0.005 0	8	16 20 22 25 28 30 32 35	1.00	4.00	4.00	1.00	$0.15 \leq R < \frac{W}{2}$ (R only)	4.4
10			10	16 20 22 25 28 30 32 35 (40)	2.00	6.00	6.00	1.20		6.4
13			13	16 20 22 25 28 30 32 35 (40)	3.00	8.00	8.00	1.50		8.4
16			16	16 20 22 25 28 30 32 35 (40)	5.00	10.00	10.00	2.00		10.6
20			20	16 20 22 25 28 30 32 35 (40)	7.00	12.00	12.00	3.00		12.6
22			22	16 20 22 25 28 30 32 35 (40)	8.00	14.00	14.00	3.00		14.6
25			25	16 20 22 25 28 30 32 35 (40)	10.00	16.00	16.00	3.00		16.6
32			32	16 20 22 25 28 30 32 35	15.00	20.00	20.00	4.00		20.6
38			38	16 20 22 25 30 35	19.00	26.00	26.00	5.00		26.6
45			45	20 22 25 30 35	25.00	35.00	35.00	6.00		36.0
50	50	20 22 25 30 35	33.00	40.00	40.00	7.00	41.0			
56	56	20 22 25 30 35	38.00	45.00	45.00	8.00	46.0			

⊙ D=(3), (4), (5), and (6) are specifications available for **A** shape (round) only. They are not available for shapes **D R E G**.
 D(6)仅有**A**形状圆形的规格。没有**D R E G**形状。



Type - D - L - P - W - R(only)

MSD - D13 - L30 - P7.00