
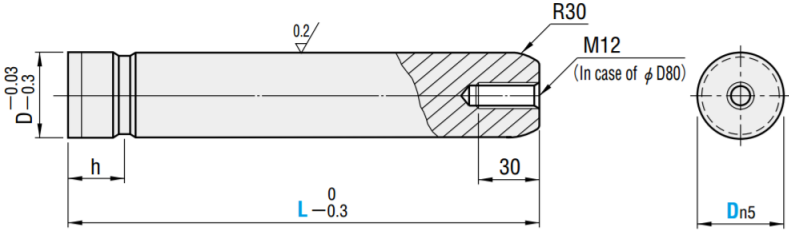


**Guide posts**



**MGP**



When assembling on site, press-fit using a hydraulic press.

S45C  
55HRC~ (Induction hardening)

Dn5		h	Type	D	L
20	+0.024 +0.015	15	MGP	20	80 90 100 110 120
					130 140 150 160
25	15	25		80 90 100 110 120	
				130 140 150 160 170 180 200	
32	20	32		90 100 110 120 130 140	
				150 160 170 180 200 220 250	
38	+0.028 +0.017	25		38	110 120 130 140 150 160 170 180
					200 220 250 280 300
50	32.5	50		50	160 170 180 200 220 250
					280 300 350
60	+0.033 +0.020	37.5	60	180 200 220 250 280 300	
				350 400	
80	50	80	80	250 280 300 350	
				400 450	

 **Type - D - L**  
**MGP - D50 - L280**