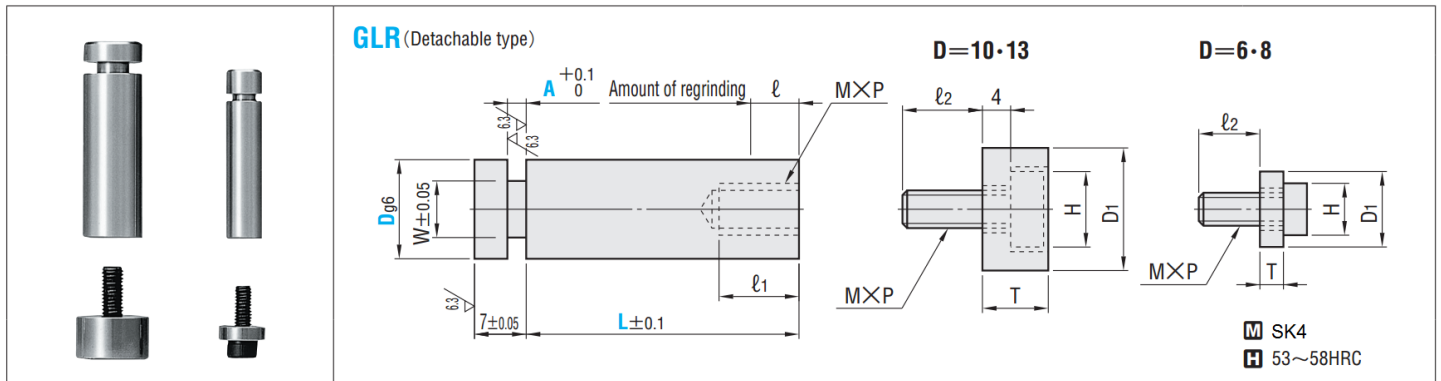


浮昇銷-裝卸型

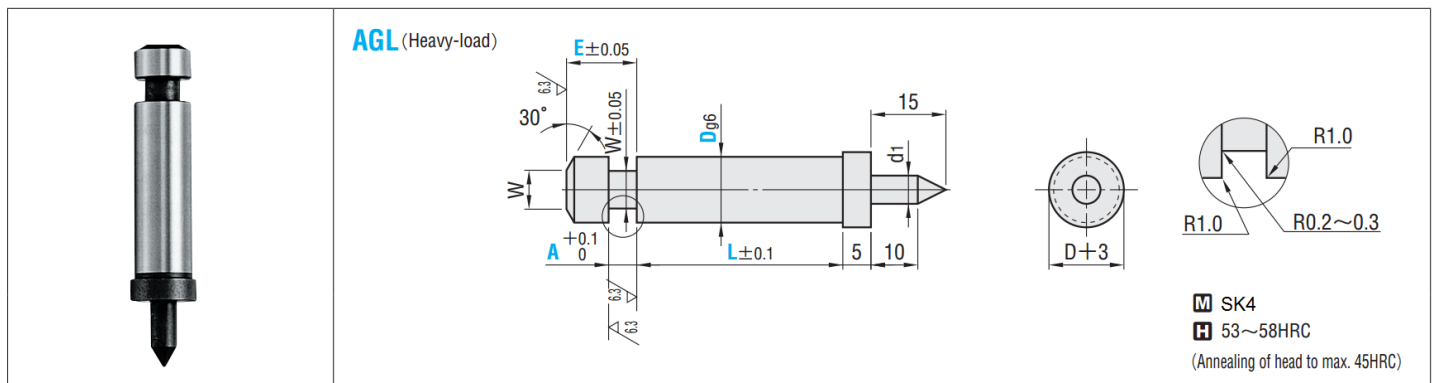


D _{g6}	W	D ₁	T	M×P	H	l ₁	l ₂	l _{max}	Type	D	0.1mm increments		
											L	A	
6	$-\frac{0.004}{0.012}$	3.6	8	3	3×0.5	5.5	15	9	6	GLR	6	20.0~60.0	0.5~3.0
8	-0.005	5.0	10		4×0.7	7.0							
10	-0.014	6.0	13	8	8.5	21	11	10	10		26.0~70.0	0.7~4.0	
13	$-\frac{0.006}{0.017}$	7.0	16						9				5×0.8

☎ Type - D - L - A
GLR - D10 - L36.5 - A3.5

Guide Lifter Punch-Detachable type

浮昇銷-裝卸型



D _{g6}	W	d ₁	Type	D	0.1mm increments		
					L	A	E
13	-0.006	8	AGL	13	30.0~ 80.0	3.0~10.0	7.0~18.0
16	-0.017	10		16		3.0~12.0	10.0~20.0
20	-0.007	13		20	30.0~ 90.0	3.0~15.0	10.0~23.0
25	-0.020	16		25	30.0~ 100.0	3.0~18.0	12.0~25.0

$$E - A - \frac{(D - W) \tan 30^\circ}{2} \geq 2$$

☎ Type - D - L - A - E