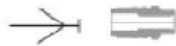
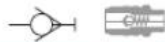
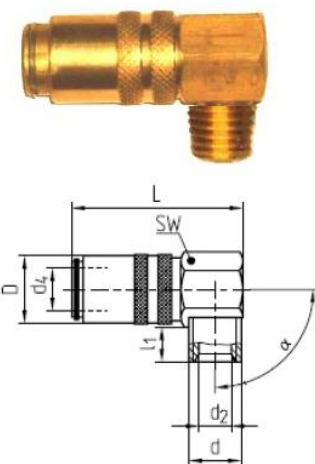


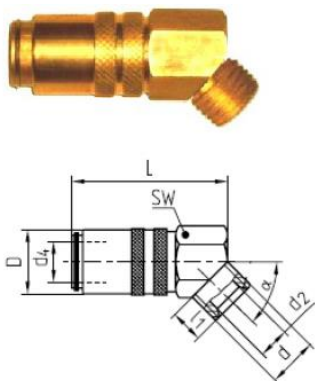
Order No.	D	SW	d <sub>2</sub>	L	l <sub>1</sub>	d <sub>4</sub>	d
Z807/ 9/14x1,5	17	17	6	48	9	9	M14x1,5
13/16x1,5	22	22	9	52		13	M16x1,5
19/24x1,5	31	30	15	78	16	19	M24x1,5
19/R1/2			13	74	12		G1/2A



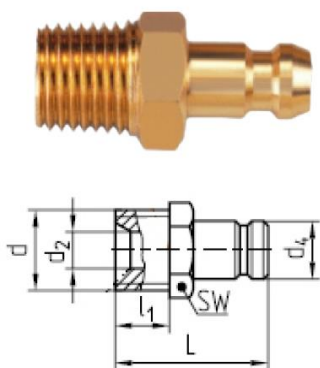
Order No.	SW	D	d <sub>2</sub>	L	l <sub>1</sub>	d <sub>4</sub>	d
Z808/13/16x1,5	22	22	9	52	9	13	M16x1,5
19/24x1,5	30	31	15	78	16	19	M24x1,5



Order No.	D	SW	d <sub>2</sub>	L	l <sub>1</sub>	d <sub>4</sub>	d	α
Z807/ 9/14x1,5/90	17	17	6	47	9	9	M14x1,5	90°
13/16x1,5/90	22	22	9	54		13	M16x1,5	
19/24x1,5/90	31	30	13	80	16	19	M24x1,5	



Order No.	D	SW	d <sub>2</sub>	L	l <sub>1</sub>	d <sub>4</sub>	d	α
Z807/ 9/14x1,5/45	17	17	6	47	9	9	M14x1,5	45°
13/16x1,5/45	22	22	9	54		13	M16x1,5	
19/24x1,5/45	31	30	13	80	18	19	M24x1,5	



L	l <sub>1</sub>	SW	d <sub>2</sub>	d <sub>4</sub>	d	Order No.	L	l <sub>1</sub>	SW	d <sub>2</sub>	d <sub>4</sub>	d	Order No.	
24	7	11	4,5	9	M 8x0,75	Z81/9/ 8x0,75	26	9	15	9	13	M14x1,5	Z81/13/14x1,5	
			6		M10x1	9/10x1						G1/4A	13/R1/4	
					G1/8A	9/R1/8						M16x1,5	13/16x1,5	
26	9	15		M14x1,5	9/14x1,5							G3/8A	13/R3/8	
				G1/4A	9/R1/4								M24x1,5	19/24x1,5
													G1/2A	19/R1/2
							51	16	27	13	19	G3/4A	19/R3/4	
							47	12	22					
							51	16	27					



SW	l <sub>1</sub>	L	d <sub>2</sub>	d <sub>4</sub>	d	Order No.
15	12	29	6	9	M14x1,5	Z811/ 9/14x1,5
					G1/4A	9/R1/4
17		30	9	13	M16x1,5	13/16x1,5
					G3/8A	13/R3/8
27	16	51	13	19	M24x1,5	19/24x1,5
					G3/4A	19/R3/4