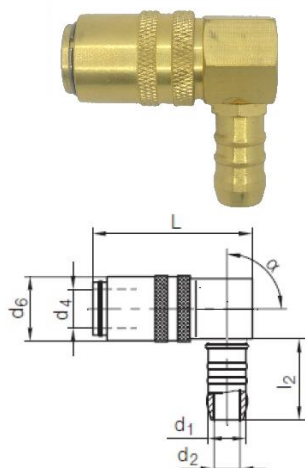
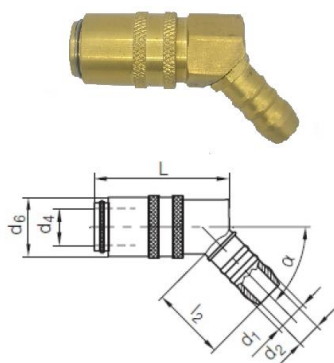


Order No.	Order No.	L	l ₂	d ₆	d ₂	d ₁ /d ₄
Z801/ 5	Z80/ 5	21,5	13,5	10	3,5	5
9	9	31	22	17	6	9
13	13	37	25	22	9	13
19	19	58	32	31	13	19



Order No.	Order No.	L	l ₂	d ₆	d ₂	d ₁ /d ₄	α
Z80/ 5/90	Z801/ 5/90	29,5	13,5	10	3,5	5	90°
9/90	9/90	41	24	17	6	9	
13/90	13/90	51	28	22	9	13	
19/90	19/90	78	34	31	13	19	



Order No.	Order No.	L	l ₂	d ₆	d ₂	d ₁ /d ₄	α
Z80/ 5/45	Z801/ 5/45	29,5	13,5	10	3,5	5	45°
9/45	9/45	41	24	17	6	9	
13/45	13/45	51	28	22	9	13	
19/45	19/45	78	34	31	13	19	



Order No.	l ₂	l	d ₅	d ₂	d ₁	d	d ₄	l ₁
Z8051/09/125	2	43	6	20	8	17	9	125
250								250
500								500
Z8051/13/125		53	8	26	10	22	13	125
250								250
500								500



Order No.	l ₂	l	d ₅	d ₂	d ₁	d	d ₄	l ₁
Z805/ 9/125	2	43	6	20	8	17	9	125
250								250
500								500
Z805/13/125		53	8	26	10	22	13	125
250								250
500								500
Z805/19/160	3	80	12	36	14	31	19	160
315								315
500								500

