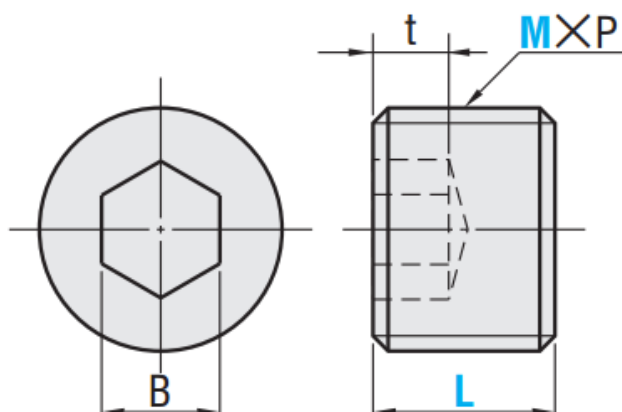


MSW



M MSW 4135 (M2.5 ~ 10)
 1045 (M12 ~ 45)

- H** 34 ~ 43HRC
- S** Black oxide (Fe₃O₄)
 (JIS B 0207 Grade 2)

■ Standard type

M×P	L	B	t	Catalog No.					
				Type	M				
2.5	0.45	3	1.3	MSW	2.5				
3	0.5	3	1.5		3*				
4	0.7	4	2		4*				
5	0.8	5	2.5		5*				
6	1.0	6	3		6				
8	1.25	8	4		8				
10	1.5	10	5		10				
12	1.5		6		5	12			
14			8			14			
16			10			16			
18		12	18						
20	1.5 (fine thread)	12	6		20				
22					17	10	22		
24							18	10	24
25									25
26							18	17	10
27				27					
28		28							
30		30							
33		33							
36		36							
38	38								
40	40								
42	42								
45	45								



Catalog No.

MSW20