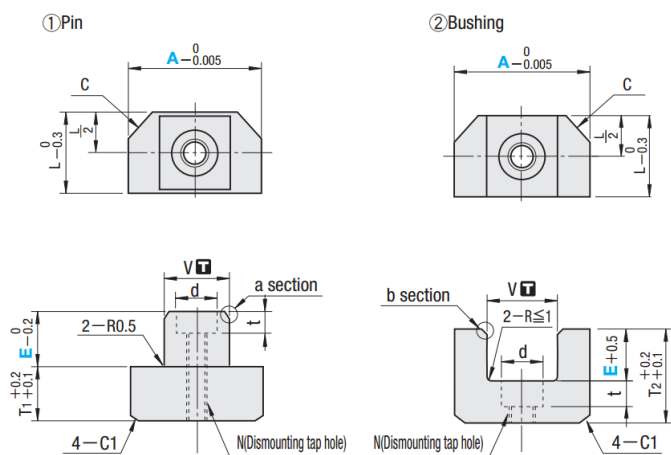
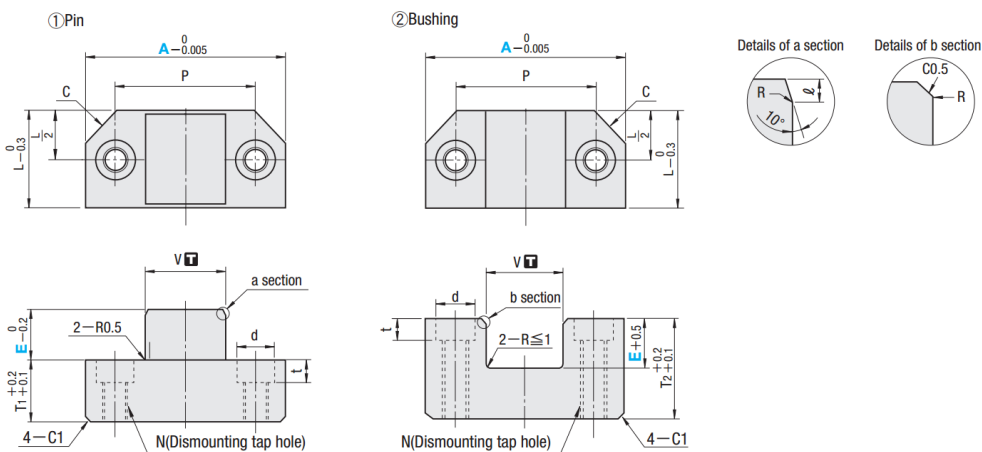


T V		Positioning precision (Clearance)	M	H
① Pin	② Bushing			
0 -0.005	+0.01 +0.005	0.005~0.015	SKD11	58~62HRC

● A20 · 25 · 30



● A40 · 50



L	T	T ₁	T ₂	V	ℓ	C	P	Bolt hole		Installation bolts	Tap N	Part Number		
								d	t			Type	A	E
12	23	8	14	10	0.5	4	—	6.5	3.5	M3 bolt	M4	TTSB	20	6
15	28	10	17	12	1			6	8	4.5	M4 bolt		M5	25
20	32	12	19	15		2	28							9.5
	43	17	25		40			10						
25	46	17	28	20		35							50	15



Part Number — E
TTSB25 — 8