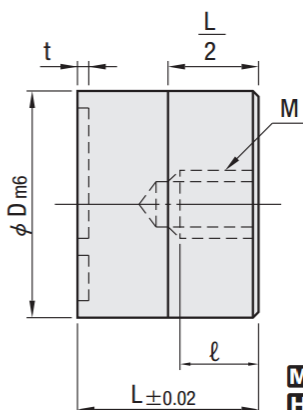
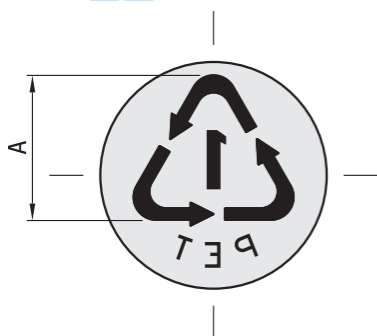


RM□□



M SUS420  
H 50~53HRC



L	M	ℓ	A	t	Part Number		D
					Type		
10	M4	5	5	0.2	RM1J	RM1E	8
12	M5	7	6	0.3	RM2J	RM2E	10
14	M6	7	10	0.3	RM3J	RM3E	16
16	M6	8	12	0.3	RM4J	RM4G	20
					RM5J	RM4F	
					RM6J	RM7E	
					RM7J		

### Benefits

- Adding a recycle mark on the finished products enables consumers to identify them as recyclable materials and helps promote recycling.
- Characters on the finished products will be emboss (Convex).

### How to Mount

Make a hole (H7) on the plate and lightly drive the date marked pin into it using a wood hammer, etc.  
Then adjust the marking position and fix with a bolt.

Applicable Plastics	Polyethylene terephthalate	High density Polyethylene	Polyvinyl chloride	Low density Polyethylene		Polypropylene	Polystyrene	Others (including multi-layered plastics)
	RM1J	RM2J	RM3J	RM4J		RM5J	RM6J	RM7J
US SPI standard								
German and French standards comparable to US SPI standard	RM1E	RM2E	RM3E	RM4G (Germany)	RM4F (France)	RM5J (Common with US SPI Standard)	RM6J (Common with US SPI Standard)	RM7E



Part Number

RM2J8