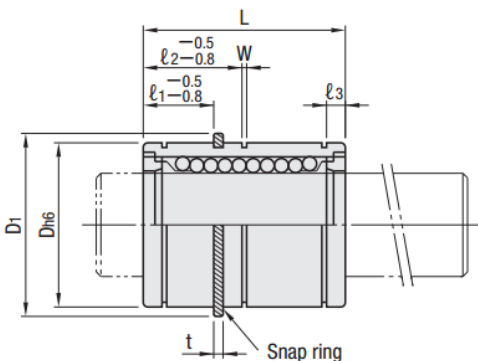
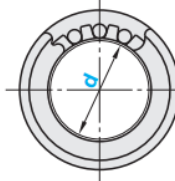


**EGBL** (Steel)  
**EGBLT** (Steel —Short type— )





▲ Snap ring (1 pc.)  
EGBW

📍 This product is delivered with a snap ring set in the  $l_1$  groove.

Type	Bushing body, balls	Ball retainer
EGBL	M SUJ2 equivalent	Steel
EGBLT	G 58HRC~	—

d	Dh6		D1	L			$l_1$	$l_2$	$l_3$	t	W	Dynamic load N (kgf)	Part Number		
													Type	d	
6	0 -0.009	12	0	15.5	19	0 -0.2	9	—	2.75	1.0	1.1	206 ( 21)	EGBL	6	
8		15	-0.011	19.3	24		10	—	3.25					265 ( 27)	8
10		19	0 -0.013	23.6	29		13	—	3.5	1.2	1.3	373 ( 38)		10	
13		23		28.5	32		13	—	4.5			510 ( 52)		13	
16		28		34.2	37		15	20	5.25	1.5	1.6	775 ( 79)		16	
20	32	38.4	42	20	25	5.75	863 ( 88)	20							
25	0 -0.010	40	0	47.1	59	0 -0.3	20	25	9	1.75	1.85	981 (100)	EGBL	25	
30		45	52.8	64	25		30	9.75	1,569 (160)					30	
25	0 -0.010	40	0	47.1	44	0 -0.3	20	25	6.25	1.75	1.85	764 ( 78)		EGBLT (Short type)	25
30		45	52.8	54	25		30	7.75	1,442 (147)						30



Part Number

**EGBL13**