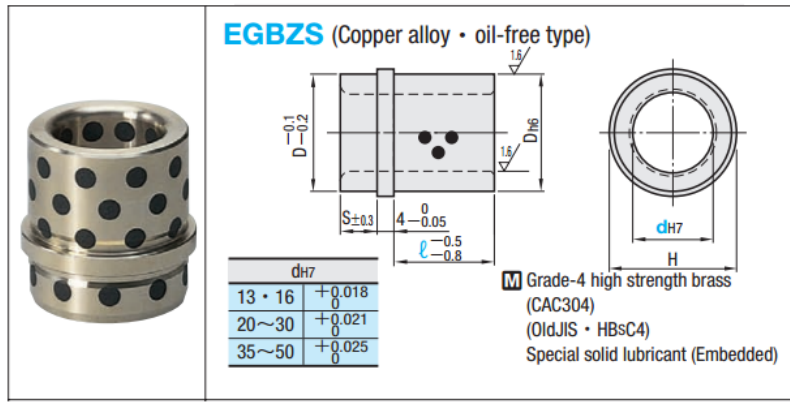


S	H	D _{h6}	Type	d	ℓ
8	19	16	EGBH	8	10 13
8	21	18		10	15
10	23	20		12	10 13
10	25	22		13	10 13 15
10	28	25		16	20 25
10	33	30		20	10 13 15
10	38	35		25	20 25 30
15	43	40		30	13 15
15	45	42		32	20 25 30
20	48	45		35	15 20 25 30
20	55	52		40	20 25 30
20	65	62		50	20 25 30

☎ Type - d - ℓ
EGBH - d20 - ℓ 25

Ejector Leader Bushings-Copper Alloy
射梢板導套-銅合金-自潤滑型



S	H	D _{h6}	Type	d	ℓ
10	25	22	EGBZS	13	10 13 15
10	28	25		16	13 15
10	33	30		20	20
10	38	35		25	13 15
15	43	40		30	15
20	48	45		35	20 25
20	55	52		40	20 25
20	65	62		50	20 25 30
					25 30

☎ Type - d - ℓ
EGBZS - d20 - ℓ 20