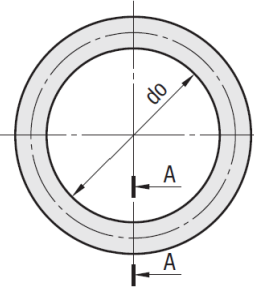
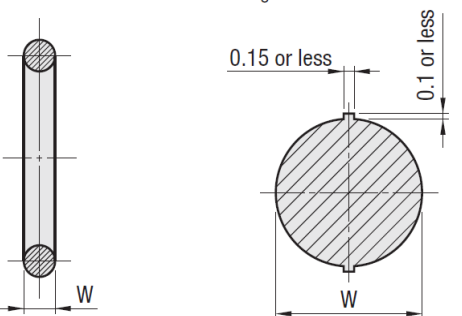


ORP (Movable type)
(运动式)

ORG (Static type)
(固定式)



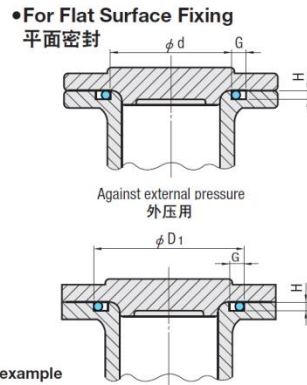
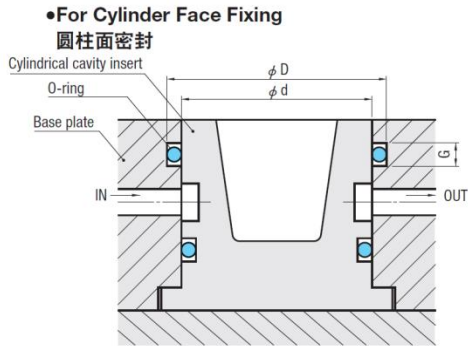
Enlarged view of AA cross section



Part Number	Usable temperature range	M
ORP · ORG	-15°C ~ 150°C	Fluoric rubber 丁腈橡胶

Usable temperature range is for reference only.
使用温度范围为参考值。

Example



■O-ring Groove Dimensions
O形圈槽加工尺寸

Part Number	G ₀ ^{+0.25}	H	H	Rmax.	D · d Eccentricity max.
ORS 3~ 22	2.5	1.0	0	—	—
ORS 24~ 48	2.7	1.5	-0.1	—	—
ORP 3~ 10	2.5	1.4	±0.05	0.4	0.05
ORP 11~ 22	3.2	1.8		0.4	0.05
ORP 24~ 48	4.7	2.7		0.7	0.08
ORP 24~ 48	4.7	2.7		0.7	0.08
ORG 25~120	4.1	2.4		0.8	0.08

- Ⓜ H size is required for flat surface fixing.
- Ⓜ Use the ORP O-rings for movable applications.
- Ⓜ Calculate the groove depth for cylinder face fixing from $\frac{\phi D(D_1) - \phi d}{2}$.
- Ⓜ Notation of O-rings for movable applications and for flat surface fixing is according to the specifications of JIS B2401.
- Ⓜ There is difference between sizes of O-rings for movable applications and for flat surface fixing.
- Ⓜ O-rings for movable applications can be used for flat surface fixing as well.
- Ⓜ H尺寸用于平面密封场合。
- Ⓜ 运动式采用ORP。
- Ⓜ 圆柱面密封用槽的深度请根据 $\frac{D(D_1) - d}{2}$ 进行计算。
- Ⓜ 运动式/固定式是按JIS B2401规定的规格进行标记的。
- Ⓜ 运动式/固定式的尺寸不同。
- Ⓜ 可将运动式用作固定式。

O-ring groove machining dimension (Reference value) O形圈安装槽加工尺寸 (参考值)			W (thickness)	do (inner diameter)	O-rings JIS No.	Part Number 型号		
d	D, D ₁ (Common)	H				Type	No.	
25	30	+0.10 0	3.1±0.1	24.4	±0.3	ORG (Static type) (固定式)	25	
30	35			29.4			30	
35	40			34.4			35	
40	45			39.4	40			
45	50			44.4	45			
50	55			49.4	50			
55	60			54.4	55			
60	65			59.4	60			
65	70			64.4	65			
70	75			69.4	70			
75	80			74.4	±0.8		75	75
80	85			79.4			80	
85	90			84.4			85	
90	95			89.4			90	
95	100			94.4			95	
100	105			99.4	G100		100	
105	110	104.4	G105	105				
110	115	109.4	G110	110				
115	120	114.4	G115	115				
120	125	119.4	G120	120				

O-ring groove machining dimension (Reference value) O形圈安装槽加工尺寸(参考值)			W (thickness)	do (inner diameter)	O-rings JIS No.	Part Number 型号					
d	D, D1 (Common)					Type	No.				
3	0 -0.05	6	+0.05 0	1.9±0.07	±0.24	P 3	3				
4		7				3.8	P 4	4			
5		8				4.8	P 5	5			
6		9				5.8	P 6	6			
7		10				6.8	P 7	7			
8		11				7.8	P 8	8			
9		12				8.8	P 9	9			
10		13				9.8	P10	10			
11		15				10.8	P11	11			
12		0 -0.06				16	+0.06 0	2.4±0.07	±0.24	P12	12
14	18		13.8	P14	14						
15	19		14.8	P15	15						
16	20		15.8	P16	16						
18	22		17.8	P18	18						
20	0 -0.06		24	+0.06 0	2.4±0.07	±0.3				P 20	20
21			25							20.8	P 21
22		26	21.8				P 22	22			
24		30	23.7				P 24	24			
25		31	24.7				P 25	25			
26		32	25.7				P 26	26			
28		34	27.7				P 28	28			
30		36	29.7				P 30	30			
31		37	30.7				P 31	31			
32		38	31.7				P 32	32			
34	0 -0.08	40	+0.08 0	3.5±0.1	±0.3	P 34	34				
35		41				34.7	P 35	35			
36		42				35.7	P 36	36			
38		44				37.7	P 38	38			
39		45				38.7	P 39	39			
40		46				39.7	P 40	40			
42		48				41.7	P 42	42			
44		50				43.7	P 44	44			
46		52				45.7	P 46	46			
48		54				47.7	P 48	48			

ORP
(Movable type)
(运动式)



Part No.

[ORG45](#)
[ORP20](#)