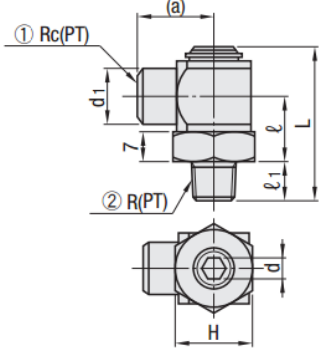


L-shaped Swivel Joints

LSNF (Brass)




Ⓜ LSNF Brass (C3604)
 Thread JIS B0203 tapered thread for tube R_{Rc} (PT)

Ⓜ Values in () are reference only.
Ⓜ Hexagonal holes bored at the tapered screw^②.

Ⓜ LSNF not conform to RoHS.

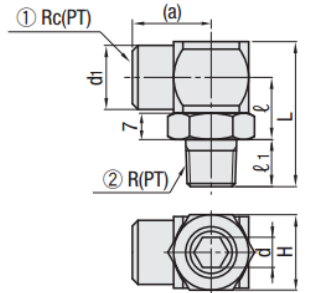
H	d ₁	Hexagonal wrench socket ⊕ d	L	ℓ	ℓ ₁	(a)	① Rc(PT)	② R(PT)	Part Number	
									Type	No.
19	14	⊕5	36.5	15.75	9.5	16	1/8	1/8	LSNF (Brass)	1
	17	⊕6	39.5		12.5	20.5	1/4	1/4		2
	19		42.5	17.75	13.5	25.5	3/8	3/8		3



L-shaped Swivel Joints

LSNFM (Brass)

Constant flow type



Ⓜ Brass (C3604)
 Thread JIS B0203 tapered thread for tube R_{Rc} (PT)

Ⓜ Values in () are reference only.
Ⓜ Hexagonal holes bored at the tapered screw^②.

Refer to P.1100 on the difference of inner structure of swivel type.

H	d ₁	Hexagonal wrench socket ⊕ d	L	ℓ	ℓ ₁	(a)	① Rc(PT)	② R(PT)	Part Number	
									Type	No.
20	14	⊕6	35.5	16.5	9.5	17	1/8	1/8	LSNFM	1
	17	⊕8	38.5		12.5	20.5	1/4	1/4		2
	19		39.5		13.5	24	3/8	3/8		3

