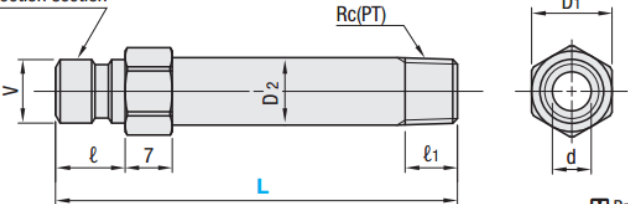
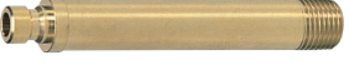
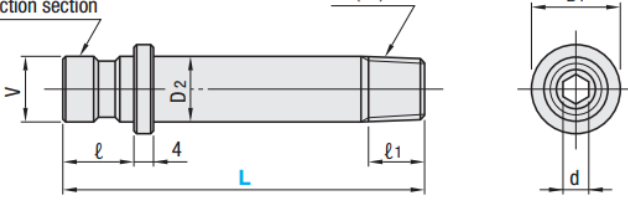

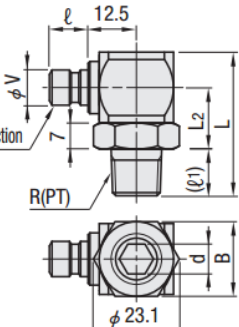
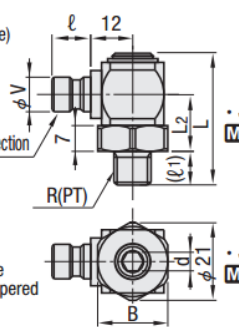
	<p>LJPJH (Hexagonal head long type)</p> <p>※Socket connection section</p>  <p>Material: M Brass (C3604) Thread: JIS B0203 tapered thread for tubing R(PT)</p>
	<p>LJPJ (Hexagonal hole long type)</p> <p>※Socket connection section</p>  <p>Allen wrenching hole on both ends (socket connection and tapered thread parts). The hex-wrench hole extends to a point mid-way from both ends. It is not fully pierced.</p> <p>Material: M Brass (C3604) Thread: JIS B0203 tapered thread for tubing R(PT)</p>

Matching Sockets	Socket connection parts		D1	D2	d	Tapered thread R(PT)	l1	Part Number		L	
	V	ℓ						Type	No.		
Cooling Joint Series Socket hole diameter V=9.4	9.4	10.4	12	10	5.8	1/8	9	Hexagonale head, long	1	100 110 120 130 140 150 200	
			14	13.2		1/4	11	LJPJH (Brass)	2		
	9.4	10.4	14	10	5	1/8	9	Hexagonale hole, long	1		40~115 (5mm increments)
			13.2	13.2		1/4	11	LJPJ (Brass)	2		

	<p>JPLJM (L-shaped swivel type — Constant flow type —)</p> <p>※Socket connection section</p> 	<p>JPLJ (L-shaped swivel type)</p> <p>※Socket connection section</p>  <p>• JPLJM M Body: Brass (C3604) Inner parts: Brass (C2700W) Fluoric rubber Fluoric rubber grease</p> <p>• JPLJ M Brass (C3604) Thread JIS B0203 Tapered thread for tubing R(PT)</p> <p>⚠ Hexagonal hole bored at the tapered screw end.</p>
---	---	--

Matching Sockets	Socket connection parts		L	L2	Allen side B	Hexagonal wrench socket d	Tapered thread R(PT)	l1	Part Number	
	V	ℓ							Type	No.
Cooling Joint Series Socket hole diameter V=9.4	9.4	10.4	35.5	16.5	20	6	1/8	9.5	L-shaped swivel type	1
			38.5				1/4	12.5		2
			39.5				3/8	13.5		3
	9.4	10.4	36.5	15.75	19	5	1/8	9.5	L-shaped swivel type	1
			39.5				1/4	12.5		2
			42.5				3/8	13.5		3



Example

• As for L-Shaped Swivel Plugs, the tube extraction angle can be altered by turning its head after tightening the screw.

⚠ Note that intermittent or continuous turning of the head could damage the O-ring, which results in water leakage.

