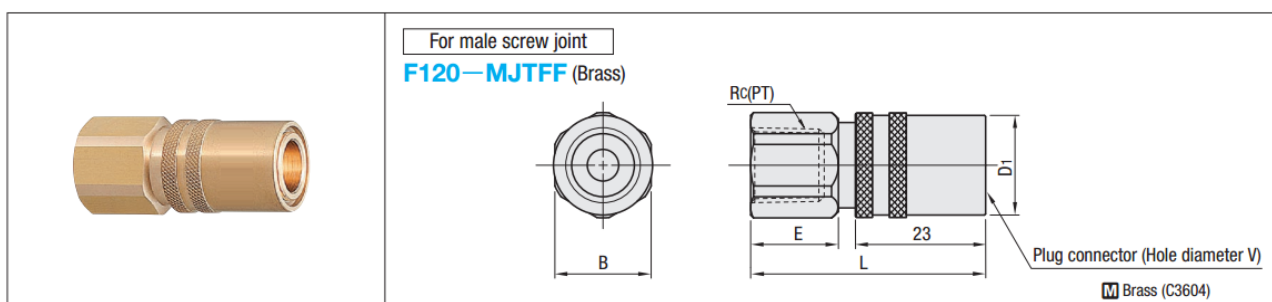
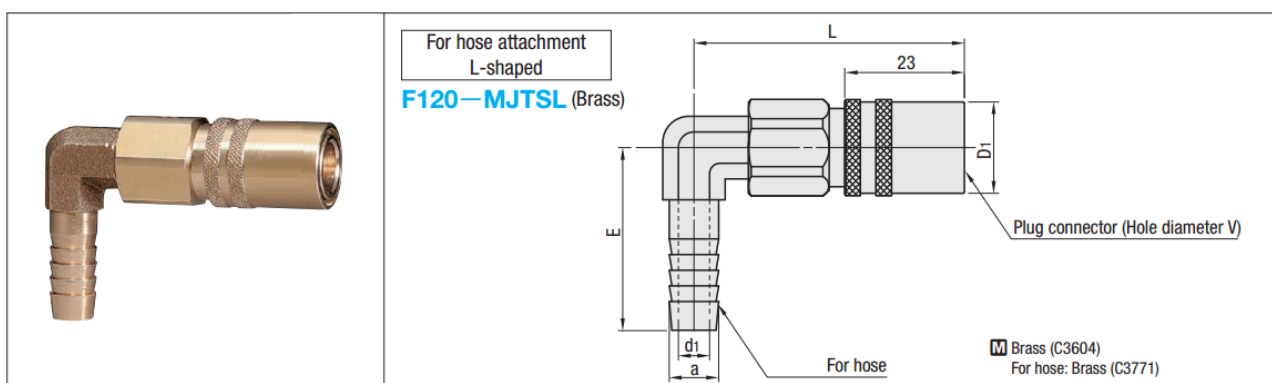


Matching Plug	Plug connection parts		D <sub>2</sub>	L	d <sub>1</sub>	For hose		Part Number	
	Hole diameter V	D <sub>1</sub>				a	E	Type	No.
Cooling Joint Plugs Tip diameter V=9.4	9.4	17	17.5	50	6	8.9	21	For hose attachment <b>F120—MJTSH</b> (Brass)	2
					7	11.5	21		3



Matching Plug	Plug connection parts		L	E	B	Tapered female thread Rc(PT)	Part Number	
	V	D <sub>1</sub>					Type	No.
Cooling Joint Plugs Tip diameter V=9.4	9.4	17	41.5	15.5	17	1/4	For male screw joint <b>F120—MJTFF</b> (Brass)	2



Matching Plug	Plug connection parts		L (Reference)	d <sub>1</sub>	For hose		Part Number	
	V	D <sub>1</sub>			a	E	Type	No.
Cooling Joint Plugs Tip diameter V=9.4	9.4	17	(52)	6	9.5	31.5	For hose (L-shaped) <b>F120—MJTSL</b> (Brass)	2