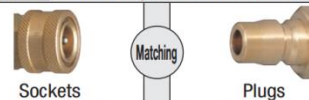
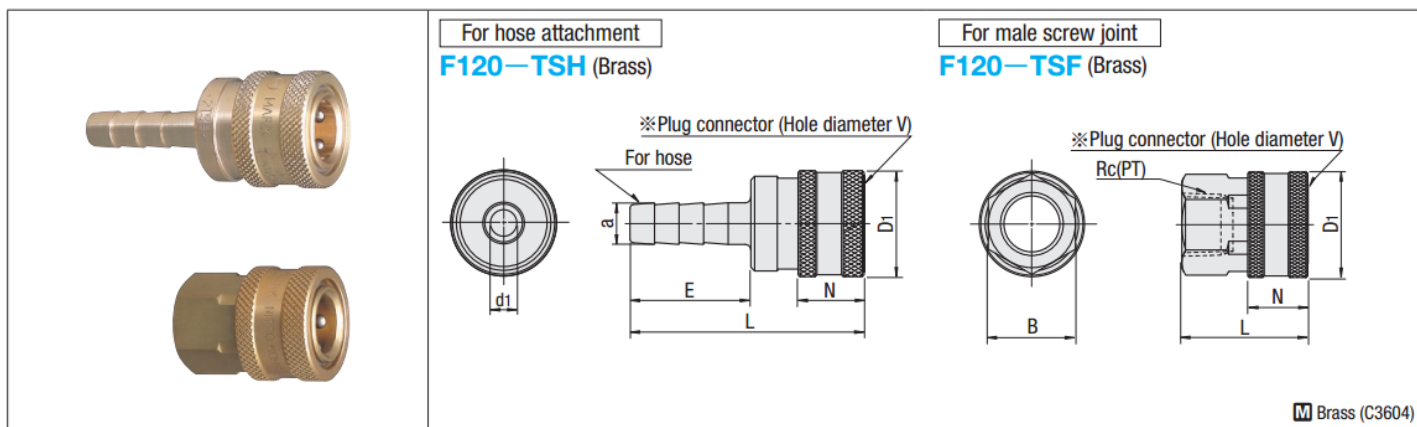
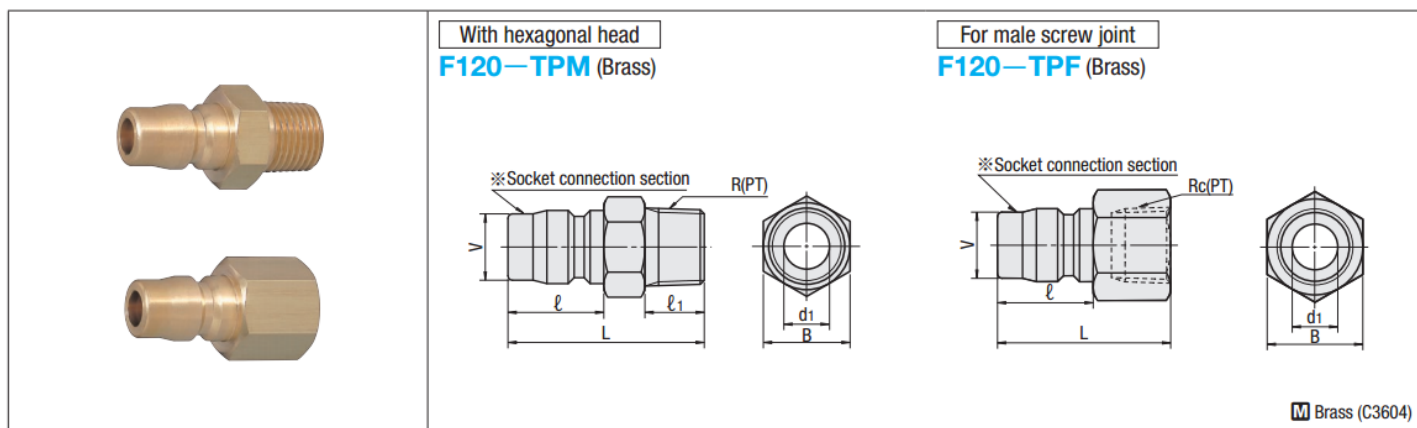


Valveless TSP Coupler Series for Cooling

 Sockets Plugs
 Connect matching the hole diameter with plug diameter.


Matching Plug	Plug connection parts			F120—TSH				F120—TSF			Part Number	
	Hole diameter V	N	D ₁	L	d ₁	For hose		L	Allen side B	Tapered female thread Rc(PT)	Type	No.
TSP couplers Tip diameter V=11	11	17	24	55	5	a	E	32	19	1/4	F120—TSH (Brass)	2
TSP couplers Tip diameter V=14	14	17.5	28	62	7	11	32	35	23	3/8		3
TSP couplers Tip diameter V=19	19	20	35	74	10	15	39	42	29	1/2	F120—TSF (Brass)	4



Matching Sockets	Socket connection parts		Int. Dia. d ₁	F120—TPM				F120—TPF			Part Number	
	V	ℓ		L	Allen side B	Tapered male thread R(PT)	ℓ ₁	L	Allen side B	Tapered female thread Rc(PT)	Type	No.
TSP couplers Tip diameter V=11	11	18	6.5	38	17	1/4	13	34	17	1/4	F120—TPM (Brass)	2
TSP couplers Tip diameter V=14	14	21	10	43	17	3/8	13	38	21	3/8		3
TSP couplers Tip diameter V=19	19	24	13	52	22	1/2	17	45	29	1/2	F120—TPF (Brass)	4