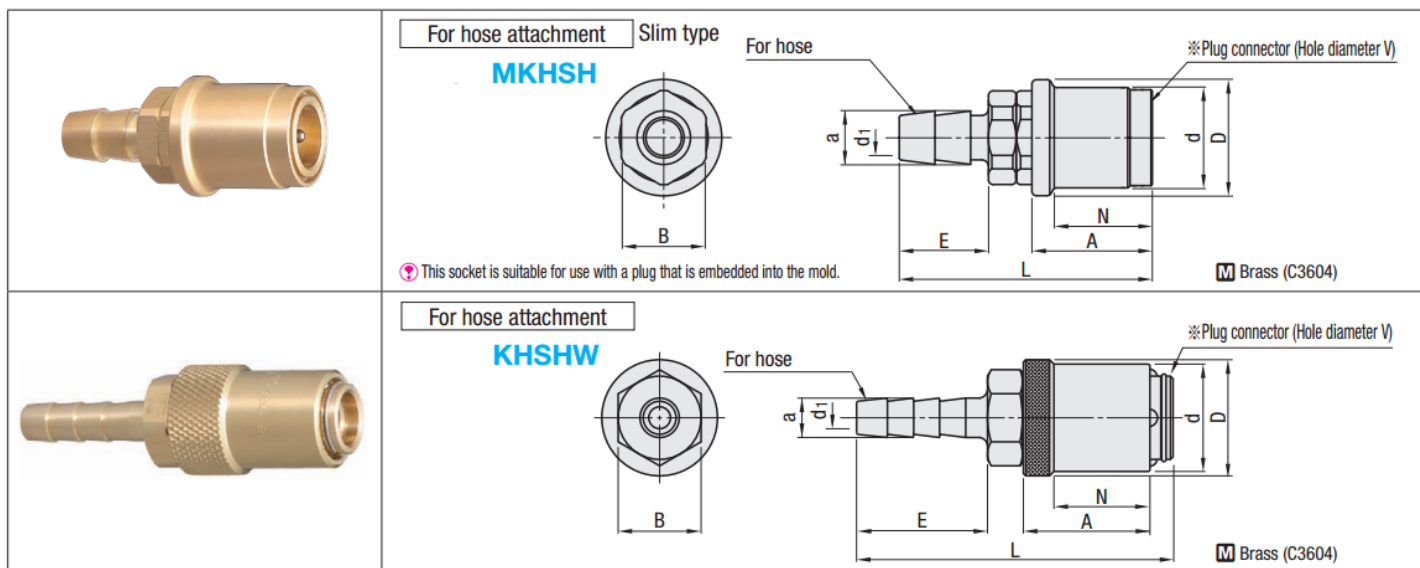
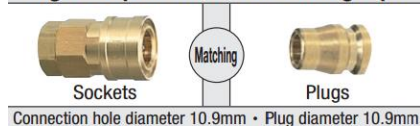


**High Coupler Series for Cooling Pipe**



Matching Plug	Plug connection parts		D	L	Allen side B	d1	For hose		A	N	Part Number	
	Hole diameter V	d					a	E			Type	No.
High Coupler Series Plug tip diameter V=10.9	10.9	22.5	26	57	19	5	8.2	21	27	22	For hose attachment	2
						8	12				— Slim type —	3
		24.5	26.5	72.5		5	9	30	29		For hose attachment	2
				76.5		7.5	11.3	34			— One touch type —	3