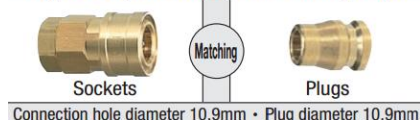
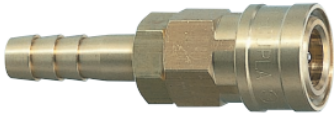
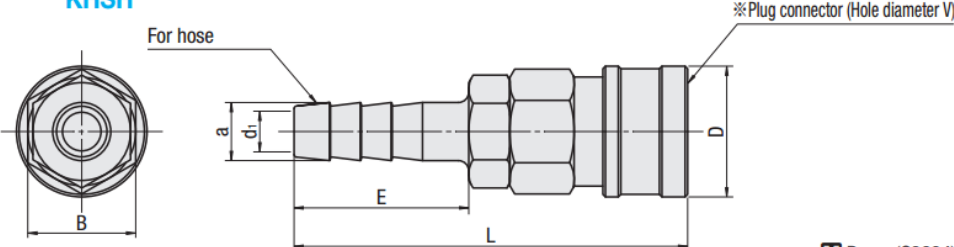

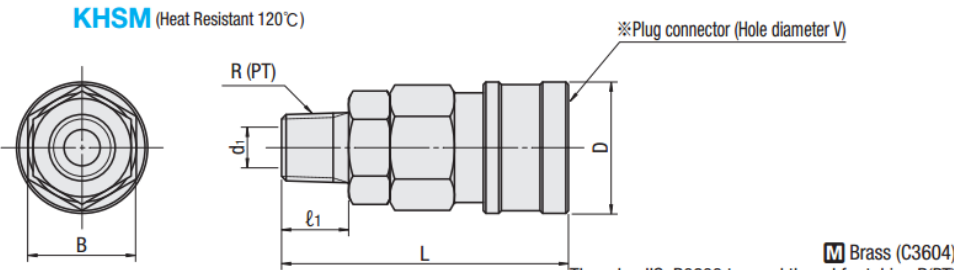

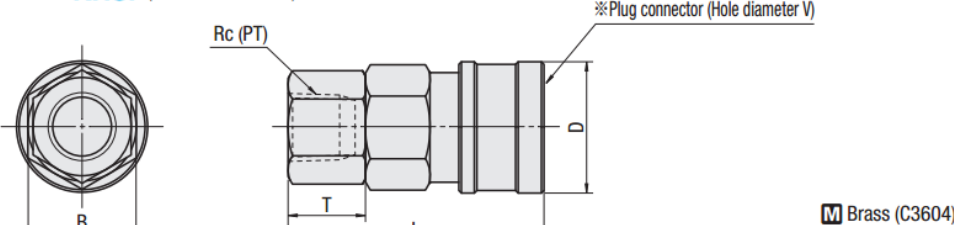


High Coupler Series for Cooling Pipe


	<p>For hose attachment</p> <p>KSHS</p> <p>For hose</p>  <p>※ Plug connector (Hole diameter V)</p> <p>M Brass (C3604)</p>
	<p>Female screw joint type</p> <p>KMSM (Heat Resistant 120°C)</p> <p>Matching Plugs: P.1060~1062</p>  <p>※ Plug connector (Hole diameter V)</p> <p>M Brass (C3604)</p> <p>Thread JIS B0203 tapered thread for tubing R(PT)</p>
	<p>Male screw joint type</p> <p>KMSF (Heat Resistant 120°C)</p>  <p>※ Plug connector (Hole diameter V)</p> <p>M Brass (C3604)</p> <p>Thread JIS B0203 tapered thread for tubing Rc(PT)</p>

Matching Plug	Plug connection parts		L	d1	Allen side B	For hose		Tapered male thread R(PT)	l ₁	Tapered female thread Rc(PT)	T	Part Number	
	Hole diameter V	D				a	E					Type	No.
High Coupler Series Plug tip diameter V=10.9	10.9	25.4	72.5	5	21	9	30	—	—	—	—	KSHS	2
			76.5	7.5		11.3	34	—	—	—	3		
			55.5	7		—	—	1/4	13	KMSM	2		
			56.5	8		—	—	3/8	14		3		
			49.5	—		—	—	—	—	1/4	13	KMSF	2