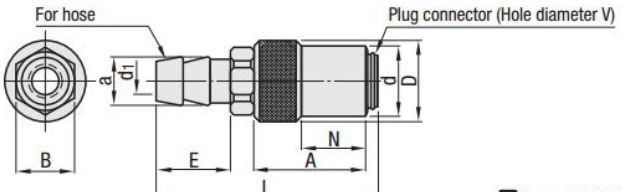

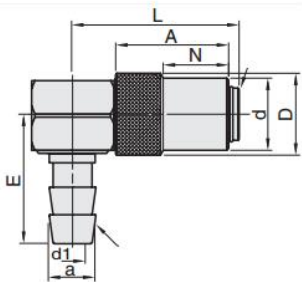

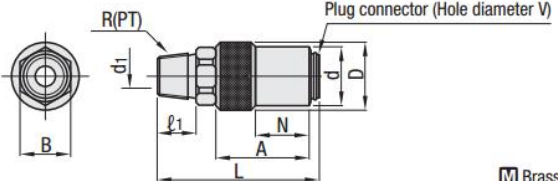

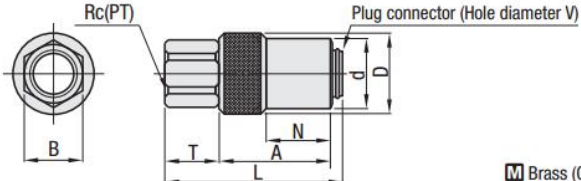
	<p>For hose attachment</p> <p style="text-align: center;"><b>KSH</b></p>  <p style="text-align: right;">Brass (C3604)</p>
	<p>For hose attachment (L-shaped)</p> <p style="text-align: center;"><b>KSHL</b></p>  <p style="text-align: right;">Brass (C3604)</p>
 <p>KTSM doesn't correspond to RoHS.</p>	<p>Female screw joint type</p> <p style="text-align: center;"><b>KSM</b></p>  <p style="text-align: right;">Brass (C3604)</p> <p style="text-align: center;">Thread JIS B0203 tapered thread for tubing R(PT)</p>
	<p>Male screw joint type</p> <p style="text-align: center;"><b>KFF</b></p>  <p style="text-align: right;">Brass (C3604)</p> <p style="text-align: center;">Thread JIS B0203 tapered thread for tubing Rc(PT)</p>

Matching Plug	Plug connection parts					L	d1	B	For hose		R(PT)	l1	Rc(PT)	T	Part Number	
	V	d	D	A	N				a	E					Type	No.
Mold Coupler Series Plug tip diameter V=8 Common to all sizes	8	18.5	21	29	16.5	61	5	17	8	22	—	—	—	—	KSH	2
									11							3
	8	18.5	21	29	16.5	48	5	—	8	33.5	—	—	—	—	KSHL	2
									11							3
	8	18.5	21	29	16.5	51	8	17	—	—	1/4	12	—	—	KSM	2
											3/8					3
	8	18.5	21	29	16.5	48	—	17	—	—	—	—	1/4	16	KFF	2