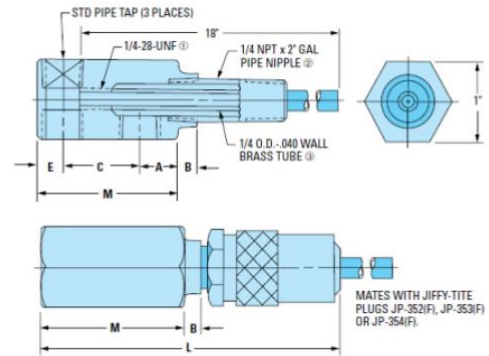




Nipple Type – DC (Includes pipe nipple and brass bubbler tube)

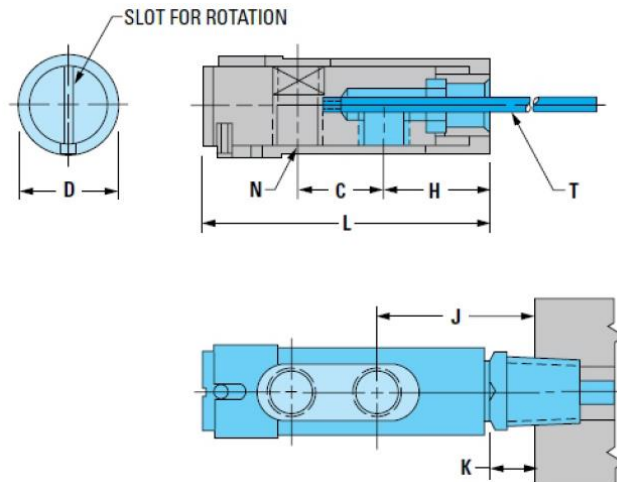


Jiffy-Tite Socket Type – JSC (Includes brass bubbler tube)



NIPPLE TYPE		STD. PIPE TAP (3 PLACES)	M	E	A	B	C	L	JIFFY-TITE SOCKET TYPE
ITEM NUMBER	ITEM NUMBER								
DC-131	—	1/8	1.34	.33	.33	.22	.69	—	—
DC-131-A	JSC-304	1/4	1.34	.33	.33	.22	.69	3.29	—
DC-132	—	1/8	1.84	.34	.50	.25	1.00	—	—
DC-132-A	JSC-314	1/4	1.84	.34	.50	.25	1.00	3.82	—
DC-136-A*	—	1/4	1.84	.34	.50	.25	1.00	—	—

*SPECIFICATIONS for DC-136-A (see drawing above): ① 5/16-24 UNF ② 3/8 NPT x 2" ③ 5/16 O.D. - .040 WALL



Jiffy-Tite® Cascade Water Junctions (JW)

ITEM NUMBER	D	L	C	H	N N.P.T. (3 PLACES)	T 18" LONG TUBE SUPPLIED		
						O.D.	I.D.	THREAD
JW-220	.70	2.12	.69	.77	1/8	.190	.126	NO. 10-32
JW-320	.96	2.38	.69	1.03	1/8	.250	.170	1/4-28
JW-321	.96	2.69	1.00	1.03	1/8	.250	.170	1/4-28
JW-541	1.19	3.13	1.00	1.28	1/4	.437	.307	7/16-20