

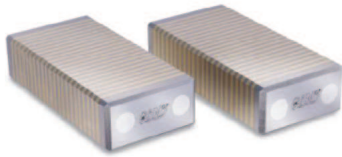
Magnetic Tools

54000

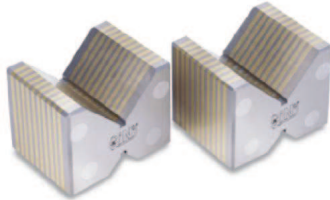
GT

Magnetic Induction Block

GT1



GT2



GT3

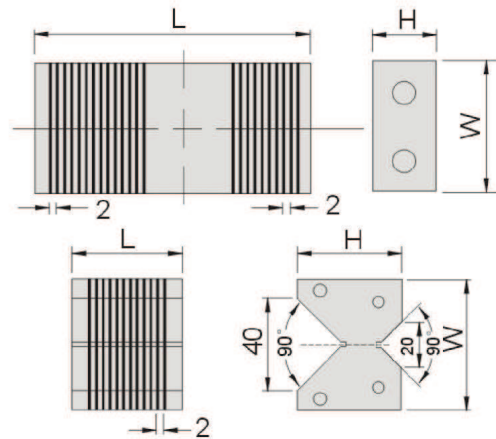


Features :

- ▶ Non-magnetic GT1, GT2 and GT3 can be magnetized after inducted on any magnetic chuck applying for as plate or 45° fixture.
- ▶ It is used as auxiliary tool by applying with magnetic chuck for holding round, thin or shapes that difficult to hold.
- ▶ There are mainly two types of induction blocks, rectangle and M shape for different processing demands.

Unit:mm

Order No.	Model	LxWxHxPCS	N.W.
54000-10	GT1	100x50x25-2PCS	2kg
54000-20	GT2	49x58x46-2PCS	1.7kg
54000-30	GT3	98x58x46-1PCS	3.4kg



54010

AT

Magnetic Induction Block

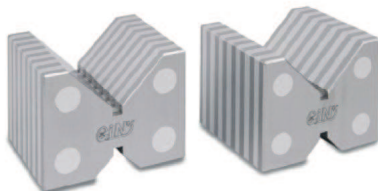
AT1



AT3



AT2



Unit:mm

Order No.	Model	LxWxHxPCS	N.W.
54010-10	AT1	100x50x25-2PCS	1.2kg
54010-20	AT2	49x58x46-2PCS	1.2kg
54010-30	AT3	98x58x46-1PCS	1.2kg

