

Magnetic Tools

54934

BS300

Universal Arm Magnetic Base



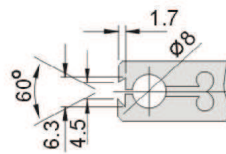
BS300L

BS300M

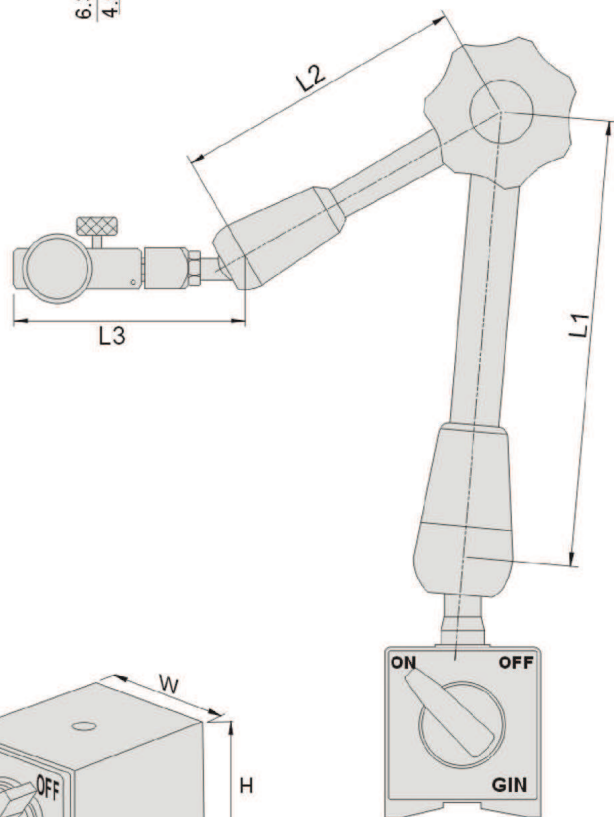
BS300S

Features :

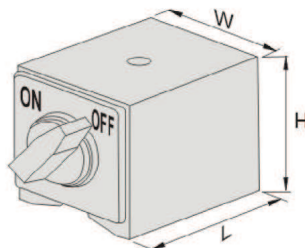
- ▶ Precision hydraulic arm.
- ▶ Powerful ON-OFF magnetic base.
- ▶ Universal swivel clamp for all dial and test indicator.
- ▶ Holds $\varnothing 8$ mm and 1/4" dovetails and back lug.



Fine-tuning



Optional accessory: P.D22
Dial indicator



Dial indicator please refer Page. D22~23

Unit:mm

Order No.	Model	Arm length		L3	Magnetic base spec.			Force (N)	N.W.
		L1	L2		L	W	H		
54934-01	BS300S	120	118	70	80	50	55	100kgf	1.9kg
54934-02	BS300M	168	166	70	80	50	55	100kgf	2.0kg
54934-03	BS300L	285	280	95	120	50	55	160kgf	3.3kg