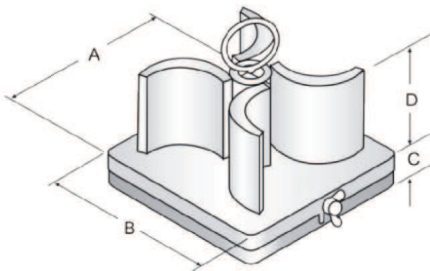


54866

MSR

Magnetic Cleaner



Application:

- Hydraulic power unit.
- Circulating lubrication oil tank.
- Oil slot of Wire-cut machine and EDMs
- Oil slot and water troughs of washers and oil purifier.

Features :

- ▶ Lightweight, easy to maintain.
- ▶ Strong and long magnetic force, perfect attraction even for micro metal powder.
- ▶ Powerful magnetism purifying and clean oil.

Adequate q'ty used formation:

- ▶ Hydraulic power unit: $T \div 1/20Q = P$
- ▶ Circulating Lubrication oil tank: $T \div Q = P$
- ▶ T: oil tank capacity
- ▶ Q: pump delivery
- ▶ P: example of contamination.

Example



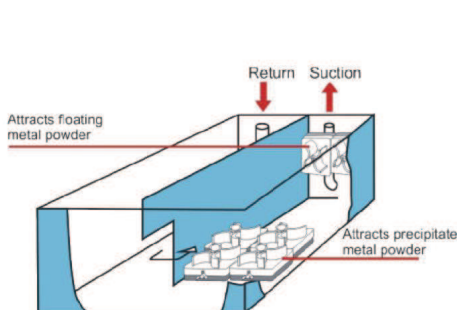
MSR100

Metal chips

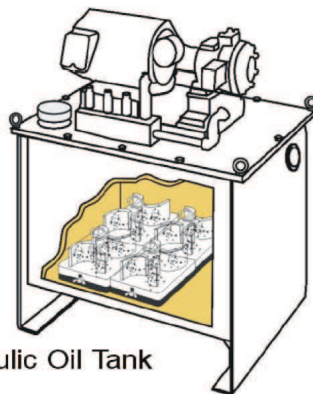


MSR300

Metal powder



Coolant Tank



Hydraulic Oil Tank



Electric Discharge Machine

Unit:mm

Order No.	Model	A	B	C	D	Flux density	Body colour	N.W.
54866-100	MSR100	110	110	20	42	800Goe	Black	0.5kg
54866-300	MSR300	110	110	20	42	3000Goe	Red	0.75kg

MAGNETIC TOOLS