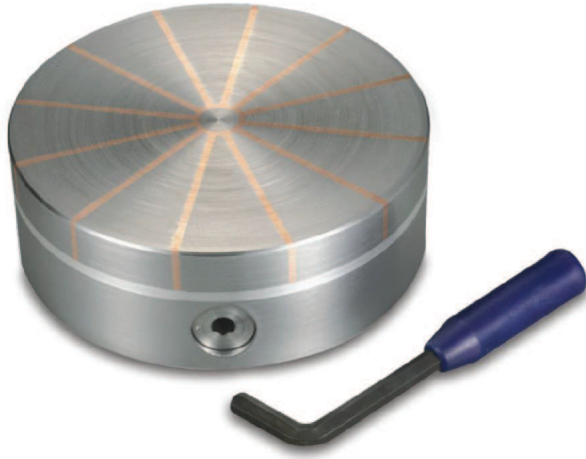
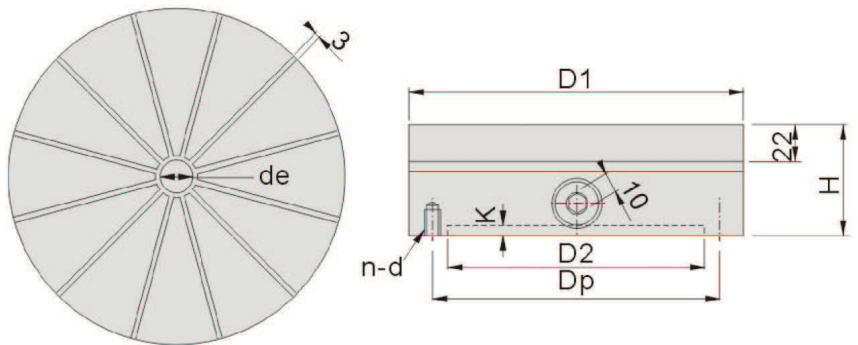


54360
HRCS
Round Star-pole Type Permanent Magnetic Chuck


Features :

- ▶ Suitable for Lathe, Milling, Rotary grinding machines...tc.
- ▶ Powerful and well spread magnetic force, stable and no distortion.
- ▶ Durable and wear-resistance design with great water resistance.



MAGNETIC TOOLS

Unit:mm

Order No.	Model	Spec.	D1	de	Pole q'ty	D2	K	n	d	Dp	H	N.W.
54360-02	HRCS-10	104X63	104	16	8	60	4	M6	4	80	63	4.2kg
54360-04	HRCS-13	130X63	130		12	80		M8		112		6.6kg
54360-06	HRCS-16	162X63	162			125				140	10.2kg	
54360-08	HRCS-20	202X68	202	19	160	M10		178		68	17.1kg	
54360-10	HRCS-25	250X68	250		200			224	26.2kg			
54360-12	HRCS-32	320X68	320		16	250		M12	280		43.2kg	
54360-14	HRCS-36	360X68	360			280			320		55.0kg	
54360-16	HRCS-40	400X68	400		315				355	67.0kg		