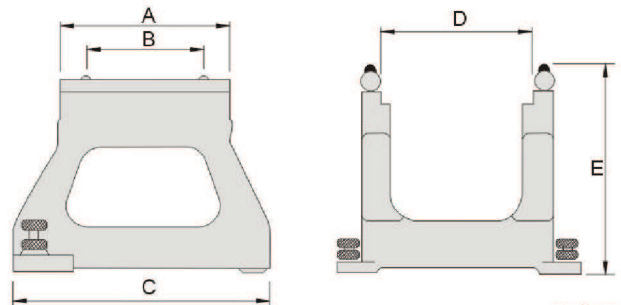


52596 LBS08、14 >> Level Balancing Stand



Features :

- ▶ The machine includes a level which can be adjusted by three screws on the machine.
- ▶ Upper round rod and the slide surface had taken heat treatment, hardness 56°-58°.
- ▶ Max. applicable dia. of wheel: LBS08 205mm
LBS14 355mm



Unit:mm

Order No.	Model	Max. Applicable Dia	A	B	C	D	E	N.W.
52596-08	LBS08	205	155	130	226	115	185	4kg
52596-14	LBS14	355	180	160	260	125	235	4.6kg

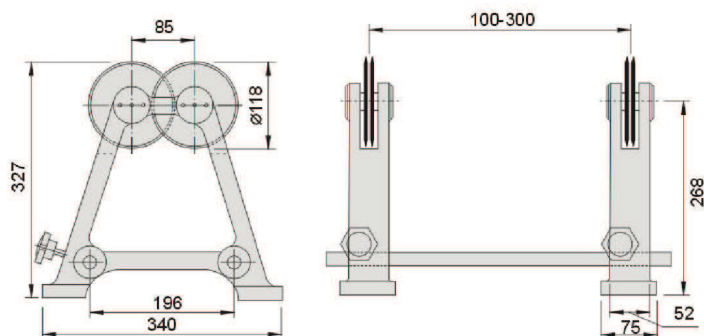
52598 WBS300 >> Wheel Balancing Stand



N.W. 14kg

Features :

- ▶ This machine adopts 4 intersect rollers to move the wheel.
- ▶ Hardness: HRC 56°-58°.
- ▶ Max. range of the two side-rollers is 300mm.
- ▶ Max. applicable dia. of wheel: 508mm.



GRINDING MACHINE ACCESSORIES