

Grinding Machine Accessories

52578

FEB10

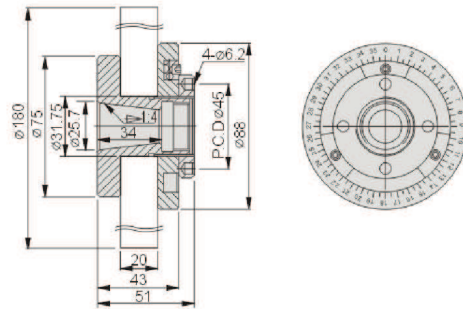
FEB10 Flange



N.W. 1kg

Features :

- ▶ Laser mark graduation reading on plates
- ▶ Suitable for TATUNG EN350 Grinders.



52580

FEB15

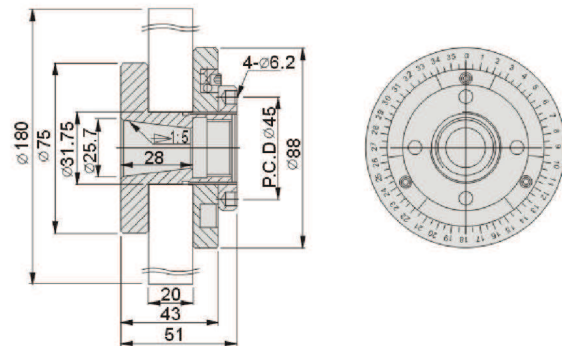
FEB15 Flange



N.W. 1kg

Features :

- ▶ Laser mark graduation reading on plates
- ▶ Suitable for KENT EN250 Grinders.



52582

FEB18

FEB18 Flange



N.W. 2.2kg

Features :

- ▶ Laser mark graduation reading on plates
- ▶ Suitable for OKAMOTO ACC-52DX Grinders.

