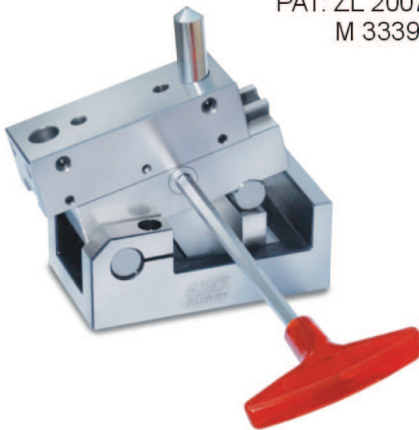


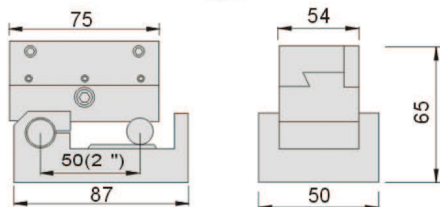
Wheel Dresser

52380 AP50H Angle Sine Dresser

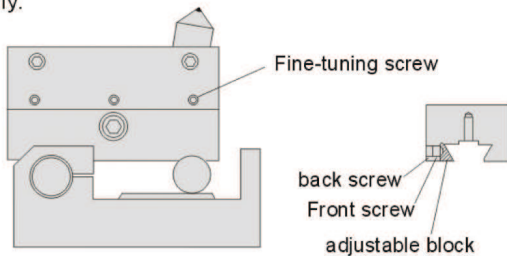


PAT: ZL 2007 2 0196026.3
M 333986

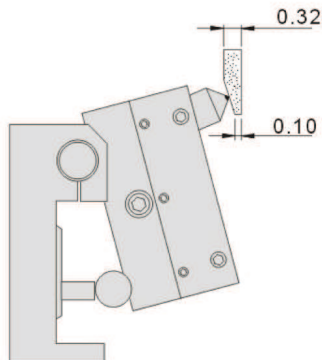
N.W. 1.4kg



AP50H has three screw holes for fine-tuning purpose, each holes contain two screws, one at the front, the other one at the rear. When adjusting rear screw pushing front screw forward and make the wedge moves, then move the slide until work smoothly.



Before applying AP50H, check the slide is tight or loose, if loose, simply light adjust fine-tuning screw until it smooth. This tool is high precision and capable of dressing any angles.

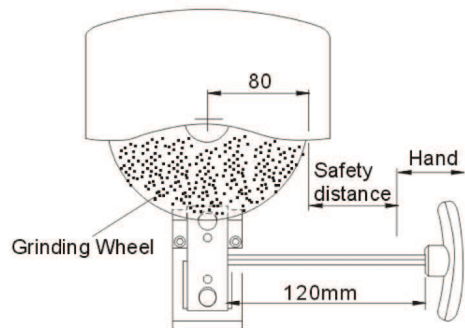


Features :

- ▶ AP50H provides gear driven and it is designed for better prevention and protection for the beginner.
- ▶ Double axis center accuracy is $\pm 0.002\text{mm}$
- ▶ It has the same function as model (52400 AP50D).

Order No.	Model	Spec
52380-11	AP50H	Inch
52380-12		Metric

Applying gears driven to make forward/backward movement and installed with diamond pin on the slide. For safety purpose, hexagon wrench is applied with certain safety distance in order to support user to function AP50H and thus precisely dressing the demand angle.



AP50H has its own Patent and it basically the improved version of original type. Below is the comparison.

AP50H	AP50
<ol style="list-style-type: none"> 1. Applying gears driven 2. Safety distance when applying 3. Three fine-tuning screw at side 4. Easy to achieve precision dressing for any user 	<ol style="list-style-type: none"> 1. Applying manually 2. Close to wheel when applying 3. No fine-tuning function 4. Must have specialist to make precision dressing