

51210 PFCM Motor 3-Jaw Punch Former

PUNCH FORMER



N.W. 10.1kg



without dust cover

Note:

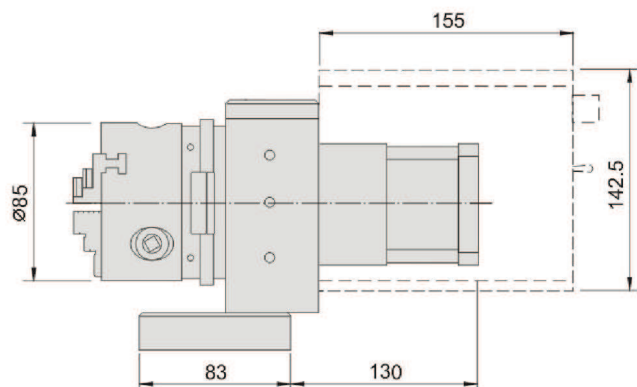
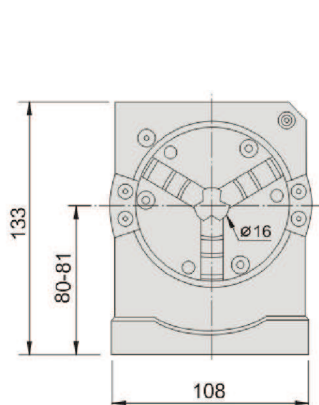
variable speed from 1 to 100 ratio, when 100 is set the top speed is 300rpm, when set on 100 rpm, the panel is set approx. 30 ratio.

Features :

- ▶ Motorised function prevent human fatigue when processing.
- ▶ Increase efficiency when processing punches.

Main parameters:

- Center height 80 ~ 81mm
- Rotational accuracy 0.003mm
- Repeat accuracy 0.015mm
- Hole dia. of 3-Jaw Chuck $\varnothing 16$ mm
- Min. clamping range O.D. $\varnothing 2$ mm, I.D. $\varnothing 24$ mm
- Max. clamping range O.D. $\varnothing 70$ mm, I.D. $\varnothing 64$ mm
- Motor : 110V/60Hz 50 ~ 550 RPM
- Motor : 220V/50Hz 50 ~ 550 RPM



Order No.	Model	Volts
51210-110	PFCM	AC110V
51210-220		AC220V