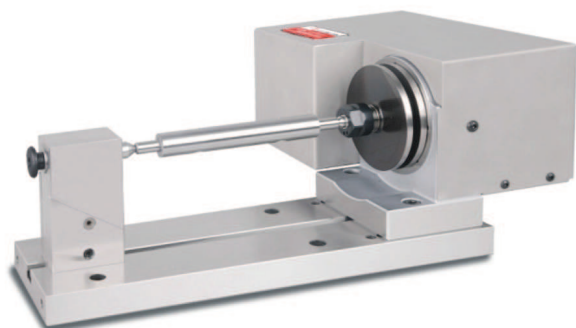


50750 GPFEM Motor Center Punch Former



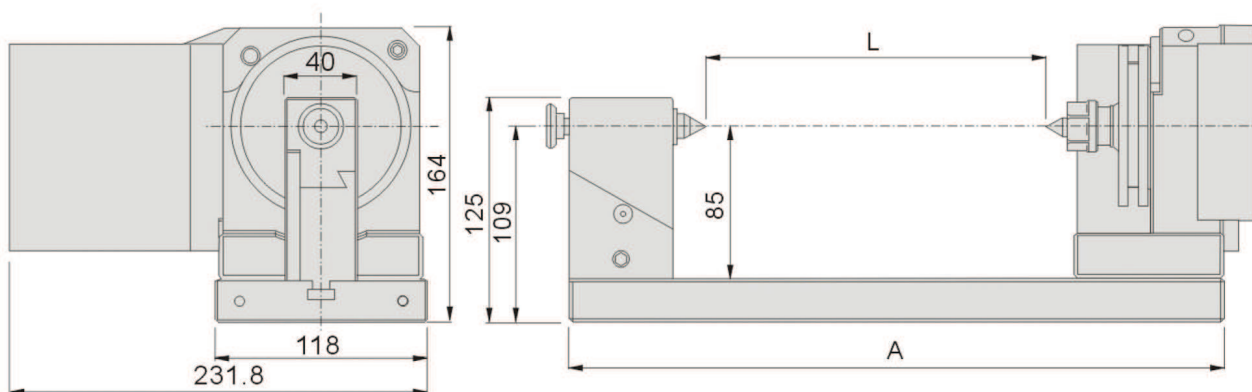
Features :

- ▶ Center Punch Former apply Live Center at both sides to clamp punch to achieve concentricity.
- ▶ Motorised function prevent human fatigue when processing.
- ▶ Live center stabilize the processing and achieve higher accuracy.
- ▶ It is mainly apply on bushes and cylinder which needs precision cylindrical grinding on surface grinding machines.



Main parameters:

Center height without base 85mm
 Center height with base 109mm
 Clamping range 0~450mm
 Motor output, Voltage 15W, IPH, 110/220V
 Motor speed 50/60HZ50~550RPM
 Material of Punch Former SKS3, HRC60~62°
 Roundness 0.002mm
 Parallelism 0.002mm/100mm
 Squareness 0.002mm/100mm



Unit:mm

Order No.	Model	A	L	Rotary Angle	N.W.
50750-15-110	GPFE150M	375	0~150	360°	23kg
50750-15-220					
50750-25-110	GPFE250M	475	0~250		
50750-25-220					
50750-35-110	GPFE350M	575	0~350		
50750-35-220					
50750-45-110	GPFE450M	675	0~450	32.5kg	
50750-45-220					