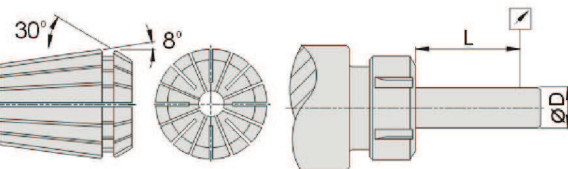


50095 PF650M Precision Motor ER Collet Punch Former



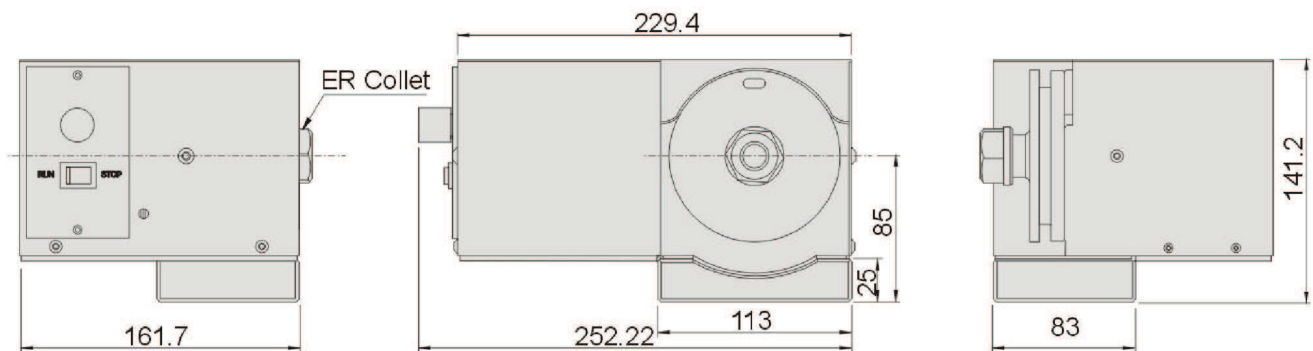
L	D	Accuracy
6	1.0-1.6	0.01
10	1.6-3.0	0.01
16	3.0-7.0	0.01
25	7.0-10.0	0.01
40	10.0-18.0	0.01
50	18.0-24.0	0.01
60	24.0-34.0	0.01

Features :

- ▶ PF650M has stronger structure leading lasting durability.
- ▶ Motorised function prevent human fatigue when processing.
- ▶ With ER collets, the flexible range of collet is 1mm.
- ▶ Capable collet clamping range: Min. \varnothing 2mm, Max. \varnothing 26mm
- ▶ PF650 can rapidly clamp the workpiece and achieving higher stability during processing, no need to adjust the center accuracy.
- ▶ Adopting high precision double bearings in its structure to achieve higher accuracy, rigidity and stability.
- ▶ This model is compatible with various ER collets such as ER20, ER32, ER40 etc...

Main parameters:

- Center height 85 ± 0.5 mm
- Motor : 110V/60Hz 50~550RPM
- Motor : 220V/50Hz 50~550RPM
- Rotational accuracy 0.003mm



Order No.	Model	ER Collet spec.	Voltage	N.W.
50095-01-110	PF650M-SER20	3, 4, 6, 8, 10	110V	17kg
50095-01-220			220V	17kg
50095-02-110	PF650M-SER32	4, 8, 12, 16, 20	110V	18kg
50095-02-220			220V	18kg
50095-03-110	PF650M-SER40	6, 10, 16, 20, 25	110V	19kg
50095-03-220			220V	19kg

