

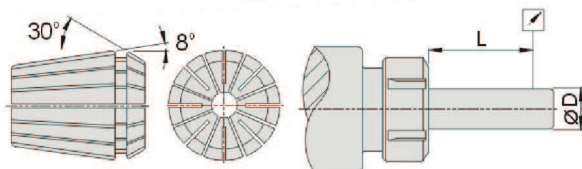
Punch Former

50090

PF650

ER Collet Punch Former

PUNCH FORMER



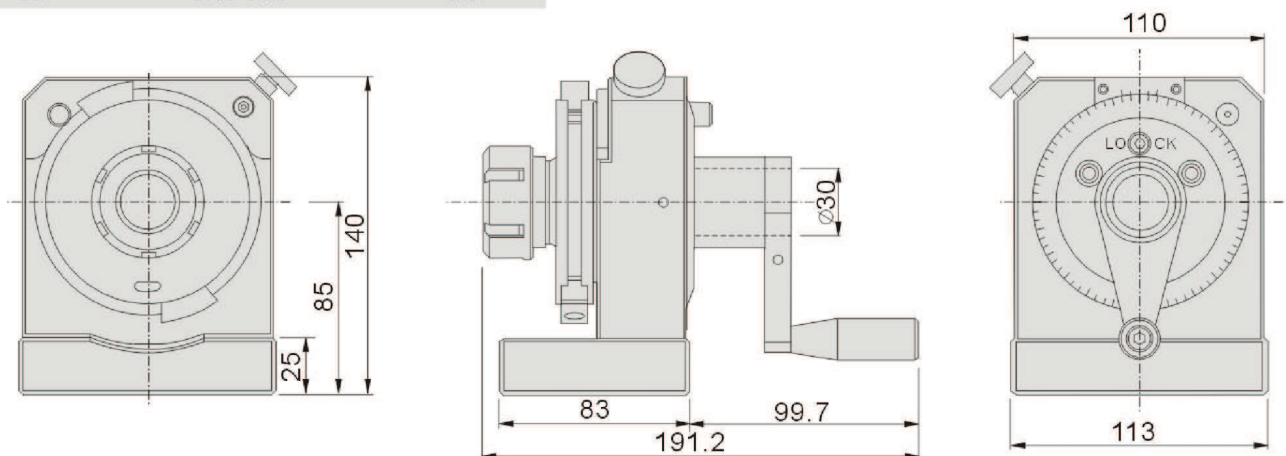
L	D	Accuracy
6	1.0-1.6	0.01
10	1.6-3.0	0.01
16	3.0-7.0	0.01
25	7.0-10.0	0.01
40	10.0-18.0	0.01
50	18.0-24.0	0.01
60	24.0-34.0	0.01

Features :

- ▶ PF650 has stronger structure leading lasting durability.
- ▶ With ER collets, the flexible range of collet is 1mm.
- ▶ Capable collet clamping range: Min. $\varnothing 2\text{mm}$, Max. $\varnothing 26\text{mm}$
- ▶ PF650 can rapidly clamp the workpiece and achieving higher stability during processing, no need to adjust the center accuracy.
- ▶ Adopting high precision double bearings in its structure to achieve higher accuracy, rigidity and stability.
- ▶ This model is compatible with various ER collets such as ER20, ER32, ER40 etc...

Main parameters:

Center height $85 \pm 0.5\text{mm}$
 Indexer tooth q'ty & accuracy $24, 15^\circ \pm 10''$
 Through hole diameters $\varnothing 30\text{mm}$
 Rotational accuracy 0.003mm



Order No.	Model	ER Collet spec.	N.W.
50090-01	PF650-SER20	3, 4, 6, 8, 10	5.5kg
50090-02	PF650-SER32	4, 8, 12, 16, 20	6.5kg
50090-03	PF650-SER40	6, 10, 16, 20, 25,	6.6kg