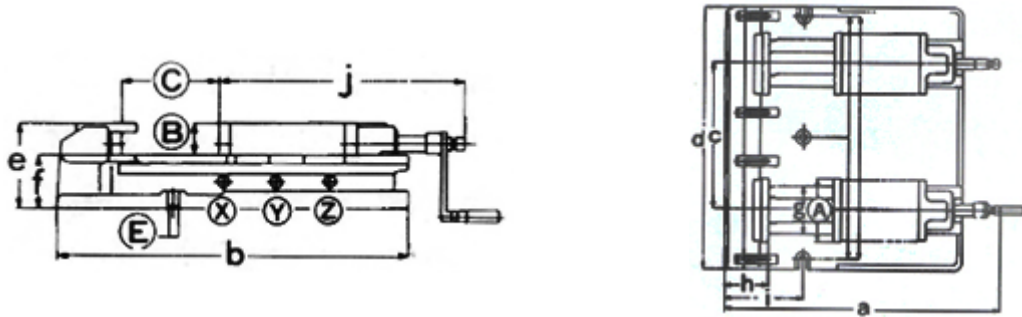




品名：雙併油壓虎鉗  
 型號：AHG-2P

產品說明：



MODEL	A	B	C	a	b	c	d	e	f	g	h	i
AHG-2P-6	484	51	300	807	610	330	550	510	139	116	127	205

MODEL	Clamping range X	Clamping range Y	Clamping range Z	Clamping force(kg)	Weight(kg)	
					Bench	Ratary table
AHG-2P-6	0~100	98~200	198~300	4400	145	